

## Instructions

**Shown with optional Draft Hood, Glass Doors, Burner System and Firebrick (ALL SOLD SEPARATELY)**

## B-Vent\* Gas Fireplace with Masonry Firebox

**Models: LMFP(48/60/72/84/96/108/120)**

\*Class A chimney can be used as an optional chimney system. Consult chimney system manufacturer's instructions.

### **⚠ WARNING:**

If the information in these instructions is not followed exactly, a fire or explosion may result causing property damage, personal injury or death.

**Do not store or use gasoline or other flammable vapors and liquids in the vicinity of this or any other appliance.**

#### **WHAT TO DO IF YOU SMELL GAS:**

- Do not try to light any appliance.
- Do not touch any electrical switch; do not use any phone in your building.
- Immediately call your gas supplier from a neighbor's phone and follow the gas supplier's instructions.
- If you cannot reach your gas supplier, call the fire department.

**Installation and service must be performed by a qualified installer, service agency, or the gas supplier.**

### **IMPORTANT: READ THESE INSTRUCTIONS CAREFULLY BEFORE STARTING INSTALLATION OF THIS FIREPLACE.**

The logs and burner must be permanently installed and are only for use in this fireplace. This fireplace must be connected to a working flue meeting the requirements of the ANSI Z21.50 standard.

**Solid-fuels shall not be burned in this fireplace.**

This appliance must be vented vertically through the roof. This appliance is not for installation in manufactured or mobile homes. The installation, including provisions for combustion, ventilation air, and required minimum permanent vent opening, must conform with the National Fuel Gas Code (ANSI Z223.1/NFPA 54) and applicable local building codes. **This gas fireplace is designed to burn with yellow flames; thus adequate ventilation is absolutely necessary.**

### **⚠ WARNING:**

**This gas appliance must not be connected to a chimney fuel servicing a solid fuel burning appliance.**

Do not store gasoline or other flammable vapors and liquids in the vicinity of this or any other appliance.

**INSTALLER:** Leave this manual with the appliance.  
**CONSUMER:** Retain this manual for future reference.

**NATIONAL  
FIREPLACE  
INSTITUTE**



**CERTIFIED**  
www.nficertified.org

We recommend that our gas hearth products be installed and serviced by professionals who are certified in the U.S. by the National Fireplace Institute® (NFI) as NFI Gas Specialists.



This appliance is only for use with the type of gas indicated on the rating plate. This appliance is not convertible for use with other gases, unless a certified kit is used.

**RADCO**  
A TWINING COMPANY

## CONTENTS

LMFP120 Fireplace Parts .....	Pg. 4,5
LMFP48 Fireplace Parts .....	Pg. 6,7
Introduction / Product Overview .....	Pg. 8
LMFP Fireplace Overall Dimensions .....	Pg. 8
Examples of multiple configurations .....	Pg. 9
Required Gas Pressure / Testing the Gas Supply System .....	Pg. 10
Fireplace Framing Dimensions .....	Pg. 11,12
Fireplace Overall Dimensions: LMFP-120 .....	Pg. 13
Clearance to Combustibles .....	Pg. 14
Chimney System Heights .....	Pg. 15
Supporting Floor Systems .....	Pg. 15,16
What You Will Need .....	Pg. 17
Assembly Instructions .....	Pg. 18~20
Installing Draft Hood and Chimney System .....	Pg. 20
Mason-Lite Firebrick Liners .....	Pg. 21
Fireplace Finishes and Combustible Trim Clearances .....	Pg. 21
Installing Outside Air .....	Pg. 21
Mason-Lite Chimney Systems .....	Pg. 22~23
Venting Installation .....	Pg. 24
Chimney Termination Units .....	Pg. 25
Wall Mounting of Chimney Fan .....	Pg. 25
Installing the valve/control box assembly .....	Pg. 26
Installing Spill Switch and Baffle assembly .....	Pg. 26
Owner's Operation & Precautions .....	Pg. 27
Log Placement: Log Set 48 .....	Pg. 28
Log Set 60 .....	Pg. 29
Log Set 120 .....	Pg. 30
Lighting and Operating Instructions .....	Pg. 31
Electronic Ignition Enclosure Installation .....	Pg. 32,33
Maintenance and Service .....	Pg. 34
Troubleshooting .....	Pg. 34
Appendix I .....	Pg. 35
Appendix II .....	Pg. 36
Limited Warranty .....	Pg. 37

Below is a sample picture of the rating plate that is located inside the lower dome side of your fireplace. Model Number, Date of Manufacture and Serial Number should be stamped on the plate where indicated.

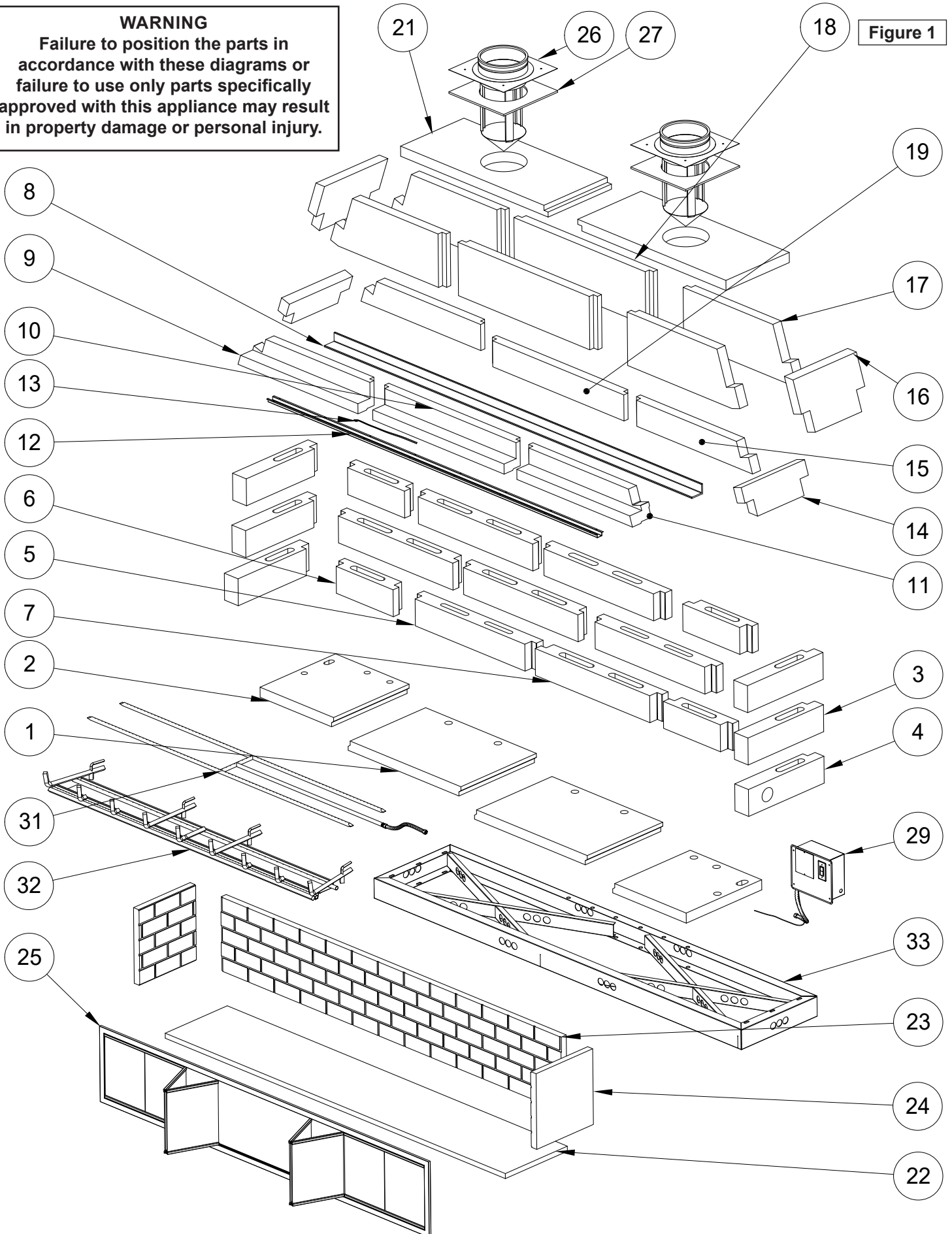
 <p>6391 Jurupa Ave. Riverside, CA 92504</p>	<p><b>DO NOT REMOVE THIS LABEL</b></p> <p>See installation &amp; operating instructions for this model. Contact local building officials about restrictions and installation specifications in your area.</p>	<p>Tested &amp; Listed By</p>  <p>Test Report No. RAD-6053</p>																								
<p>LARR No. 25924</p>	<p>DATE OF MFG. <input style="width: 80px;" type="text"/></p>	<p>SERIAL No. <input style="width: 100px;" type="text"/></p>																								
<table style="width: 100%; border-collapse: collapse;"> <tr> <td style="width: 12.5%;"><b>MODEL: LMFP-</b></td> <td style="width: 12.5%;"><b>48</b> <input type="checkbox"/></td> <td style="width: 12.5%;"><b>60</b> <input type="checkbox"/></td> <td style="width: 12.5%;"><b>72</b> <input type="checkbox"/></td> <td style="width: 12.5%;"><b>84</b> <input type="checkbox"/></td> <td style="width: 12.5%;"><b>96</b> <input type="checkbox"/></td> <td style="width: 12.5%;"><b>108</b> <input type="checkbox"/></td> <td style="width: 12.5%;"><b>120</b> <input type="checkbox"/></td> </tr> <tr> <td>H-BURNER BTU/HR:</td> <td>85,000</td> <td>100,000</td> <td>120,000</td> <td>140,000</td> <td>160,000</td> <td>180,000</td> <td>200,000</td> </tr> <tr> <td>GAS LOG-BURNER BTU/HR:</td> <td>85,000</td> <td>96,000</td> <td>110,000</td> <td>125,000</td> <td>135,000</td> <td>155,000</td> <td>180,000</td> </tr> </table>			<b>MODEL: LMFP-</b>	<b>48</b> <input type="checkbox"/>	<b>60</b> <input type="checkbox"/>	<b>72</b> <input type="checkbox"/>	<b>84</b> <input type="checkbox"/>	<b>96</b> <input type="checkbox"/>	<b>108</b> <input type="checkbox"/>	<b>120</b> <input type="checkbox"/>	H-BURNER BTU/HR:	85,000	100,000	120,000	140,000	160,000	180,000	200,000	GAS LOG-BURNER BTU/HR:	85,000	96,000	110,000	125,000	135,000	155,000	180,000
<b>MODEL: LMFP-</b>	<b>48</b> <input type="checkbox"/>	<b>60</b> <input type="checkbox"/>	<b>72</b> <input type="checkbox"/>	<b>84</b> <input type="checkbox"/>	<b>96</b> <input type="checkbox"/>	<b>108</b> <input type="checkbox"/>	<b>120</b> <input type="checkbox"/>																			
H-BURNER BTU/HR:	85,000	100,000	120,000	140,000	160,000	180,000	200,000																			
GAS LOG-BURNER BTU/HR:	85,000	96,000	110,000	125,000	135,000	155,000	180,000																			
<p><b>⚠ THIS FIREPLACE IS DESIGNED FOR USE ONLY WITH THE ANSI Z21.50-2016 DECORATIVE GAS SYSTEM AND BURNER TESTED AND APPROVED FOR THIS FIREPLACE. Consult instructions included with this firebox for further information.</b></p> <p><b>⚠ WARNING: THIS FIREPLACE HAS BEEN TESTED FOR USE ONLY WITH APPROVED GLASS DOORS. TO REDUCE THE RISK OF FIRE OR INJURY, CONSULT OWNER'S MANUAL.</b></p> <p><b>⚠ WARNING:</b> Use only approved, listed 12"Ø B-Vent System. This Gas Fireplace has been tested to operate with a gas burner and may be used with automatic vent damper device p/n: EXH2812-24. Follow installation instructions.</p> <p><b>Note:</b> Certain installation conditions may require an Enervex Exhausto Termination System including ADC100 Controller. Consult Manual.</p> <p><b>Chimney Heights:</b> Horizontal vent runs are approved for up to 70 feet with a qty. of up to six (6) 90° elbows, with the use of a <b>Power Vent</b>. Vertical vent runs are approved up to 60 feet with a maximum of two (2) 45° elbows.</p>																										
<table style="width: 100%; border-collapse: collapse;"> <tr> <td style="width: 60%;"><b>MANIFOLD PRESSURE: 5 INCHES W.C.</b></td> <td style="width: 40%;"><b>MANIFOLD PRESSURE: 5 INCHES W.C.</b></td> </tr> <tr> <td><b>ELECTRICAL RATING: 120V / 60HZ</b></td> <td><b>ELECTRICAL RATING: 120V / 60HZ</b></td> </tr> <tr> <td><b>GAS TYPE: NATURAL</b></td> <td><b>GAS TYPE: NATURAL</b></td> </tr> <tr> <td colspan="2"><b>FIREPLACE CLEARANCES TO COMBUSTIBLES:</b></td> </tr> <tr> <td>UNIT FRONT, SIDES, REAR.....</td> <td>2" (50.8 mm)</td> </tr> <tr> <td>COMBUSTIBLE FLOOR.....</td> <td>2" (50.8 mm)</td> </tr> <tr> <td>SHEATHING OR TRIM TO OPENING SIDES.....</td> <td>8" (203.2 mm)</td> </tr> <tr> <td>COMB. SHEATHING ABOVE OPENING TOP.....</td> <td>8" (203.2 mm)</td> </tr> <tr> <td>OPENING TO SIDE WALL.....</td> <td>20" (508 mm)</td> </tr> <tr> <td>HEARTH EXTENSION BEYOND SIDES.....</td> <td>12" (304.8 mm)</td> </tr> <tr> <td>INSULATION FROM FIREBOX.....</td> <td>0</td> </tr> <tr> <td colspan="2" style="text-align: center;">FOR MANTEL CLEARANCES CONSULT OWNER'S MANUAL</td> </tr> </table>			<b>MANIFOLD PRESSURE: 5 INCHES W.C.</b>	<b>MANIFOLD PRESSURE: 5 INCHES W.C.</b>	<b>ELECTRICAL RATING: 120V / 60HZ</b>	<b>ELECTRICAL RATING: 120V / 60HZ</b>	<b>GAS TYPE: NATURAL</b>	<b>GAS TYPE: NATURAL</b>	<b>FIREPLACE CLEARANCES TO COMBUSTIBLES:</b>		UNIT FRONT, SIDES, REAR.....	2" (50.8 mm)	COMBUSTIBLE FLOOR.....	2" (50.8 mm)	SHEATHING OR TRIM TO OPENING SIDES.....	8" (203.2 mm)	COMB. SHEATHING ABOVE OPENING TOP.....	8" (203.2 mm)	OPENING TO SIDE WALL.....	20" (508 mm)	HEARTH EXTENSION BEYOND SIDES.....	12" (304.8 mm)	INSULATION FROM FIREBOX.....	0	FOR MANTEL CLEARANCES CONSULT OWNER'S MANUAL	
<b>MANIFOLD PRESSURE: 5 INCHES W.C.</b>	<b>MANIFOLD PRESSURE: 5 INCHES W.C.</b>																									
<b>ELECTRICAL RATING: 120V / 60HZ</b>	<b>ELECTRICAL RATING: 120V / 60HZ</b>																									
<b>GAS TYPE: NATURAL</b>	<b>GAS TYPE: NATURAL</b>																									
<b>FIREPLACE CLEARANCES TO COMBUSTIBLES:</b>																										
UNIT FRONT, SIDES, REAR.....	2" (50.8 mm)																									
COMBUSTIBLE FLOOR.....	2" (50.8 mm)																									
SHEATHING OR TRIM TO OPENING SIDES.....	8" (203.2 mm)																									
COMB. SHEATHING ABOVE OPENING TOP.....	8" (203.2 mm)																									
OPENING TO SIDE WALL.....	20" (508 mm)																									
HEARTH EXTENSION BEYOND SIDES.....	12" (304.8 mm)																									
INSULATION FROM FIREBOX.....	0																									
FOR MANTEL CLEARANCES CONSULT OWNER'S MANUAL																										
<p><b>VENTED DECORATIVE GAS APPLIANCE: NOT A SOURCE OF HEAT; NOT FOR USE WITH SOLID FUEL.</b></p> <p>THIS APPLIANCE NEEDS FRESH AIR FOR SAFE OPERATION AND MUST BE INSTALLED SO THERE ARE PROVISIONS FOR ADEQUATE COMBUSTION AND VENTILATION AIR.</p> <p>This appliance is not for installation in manufactured or mobile homes.</p> <p>The installation, including provisions for combustion, ventilation air, and required minimum permanent vent opening, must conform with the National Fuel Gas Code (ANSI Z223.1/NFPA 54) and applicable local building codes.</p>																										
<p><b>⚠ WARNING:</b> This gas appliance <b>must not</b> be connected to a chimney fuel servicing a solid fuel burning appliance.</p>																										
<p><b>⚠ WARNING:</b> THIS FIREPLACE IS NOT INTENDED FOR BURNING SOLID FUELS.</p>																										

REV 10/18

# LMFP-120 Fireplace Parts Diagram

**WARNING**  
Failure to position the parts in accordance with these diagrams or failure to use only parts specifically approved with this appliance may result in property damage or personal injury.

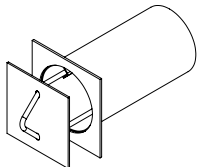
Figure 1



# LMFP-120 Fireplace Parts List

ITEM NO.	DESCRIPTION	QTY.
1	HEARTH MIDDLE	2
2	HEARTH BTM	2
3	SIDE WALL	5
4	SIDE WALL W/ HOLE FOR AIR KIT	1
5	REAR WALL MIDDLE	3
6	REAR WALL SHORT	4
7	REAR WALL	4
8	4X3 ANGLE IRON (NOT SUPPLIED - SOURCE LOCALLY)	1
9	LINTEL LH	1
10	LINTEL MIDDLE	1
11	LINTEL RH	1
12	SPILL SWITCH CHANNEL	1
13	SPILL SWITCH	1
14	LOWER SIDE DOME	2
15	LOWER REAR SIDE DOME	2
16	UPPER SIDE DOME	2
17	MID SIDE DOME	4
18	MID DOME CENTER	2
19	LOWER DOME REAR CENTER	1
20	(DELETED)	
21	DOME TOP	2
22	FIREBRICK HEARTH LINING (NOT INCLUDED)	1
23	FIREBRICK LINING REAR (NOT INCLUDED)	1
24	FIREBRICK LINING SIDE (NOT INCLUDED)	2
25	LMFP-120 DOOR ASM (OPTIONAL - MFG: DESIGN SPECIALTIES)	1
26	12" ANCHOR PLATE/DRAFT HOOD (NOT INCLUDED)	2
27	INSULATION BLANKET (NOT INCLUDED)	2
28	GAS FLEXLINE 1/2" NPT (NOT INCLUDED)	1
29	CONTROL BOX	1
30	GAS FLEXLINE 1/2" NPT - LONG (NOT INCLUDED)	1
31	H BURNER 120 (OPTIONAL - NOT INCLUDED)	1
32	GRATE BURNER LMFP120 (OPTIONAL - NOT INCLUDED)	1
33	METAL BASE (NOT INCLUDED)	1

**Optional Outside Ø4"  
Combustion Air Kit  
Model No.: MFPST-4AK**

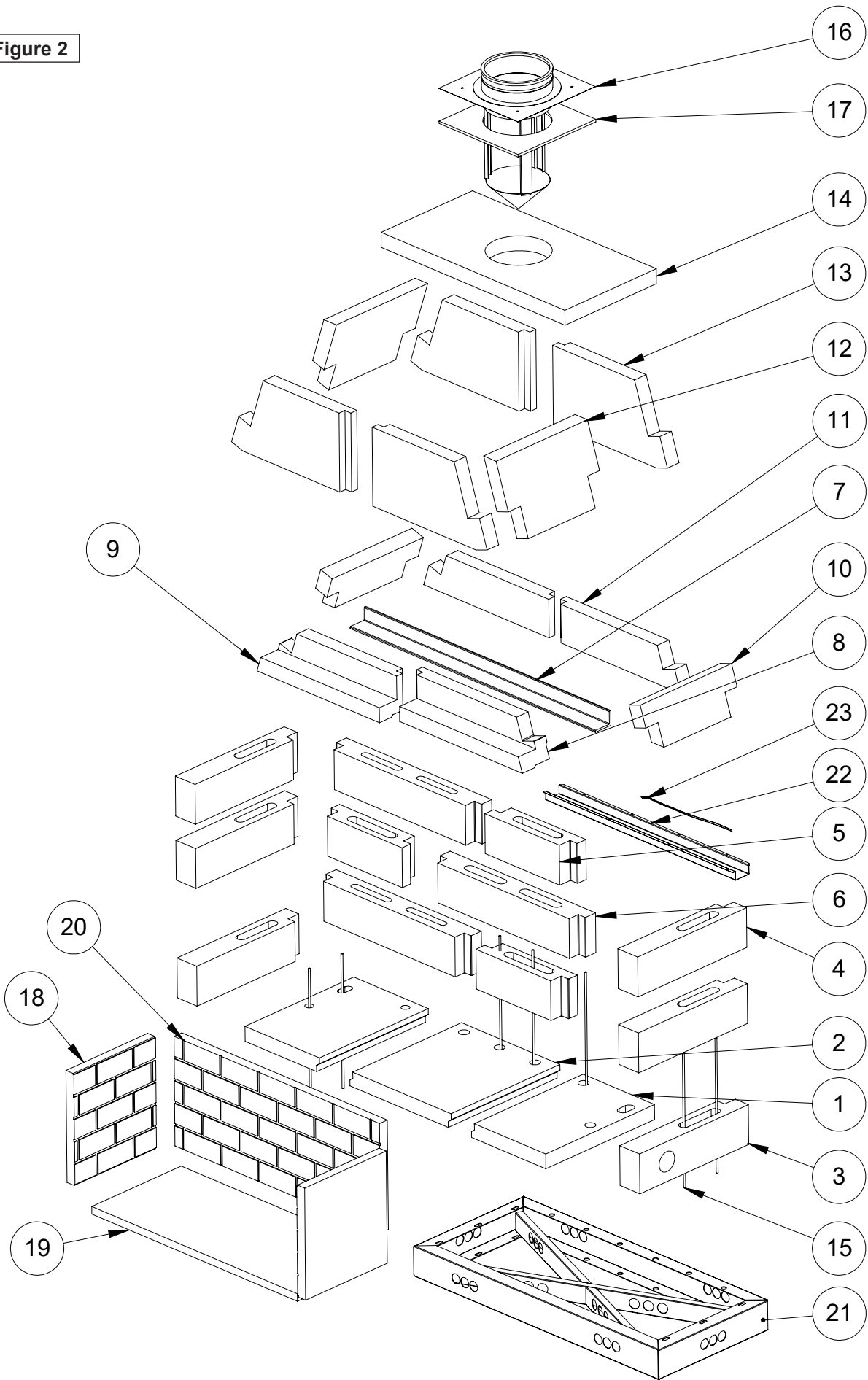


**(Optional Kit includes duct)**

NOTE: SOME ITEMS NOTED AS "NOT INCLUDED" MAY BE SOLD SEPARATELY OR CAN BE OBTAINED FROM YOUR LOCAL HARDWARE STORE.

# LMFP-48 Fireplace Parts Diagram

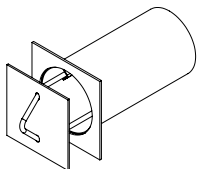
Figure 2



# LMFP-48 Fireplace Parts List

ITEM NO.	DESCRIPTION	QTY.
1	HEARTH BTM	2
2	HEARTH MIDDLE	1
3	SIDE WALL	1
4	SIDE WALL	5
5	REAR WALL SML SEC	3
6	REAR WALL	3
7	4X3 ANGLE IRON (NOT SUPPLIED - SOURCE LOCALLY)	1
8	LINTEL RH	1
9	LINTEL LH	1
10	LOWER SIDE DOME	2
11	LOWER REAR DOME	2
12	UPPER SIDE DOME	2
13	UPPER FRONT / REAR DOME	4
14	DOME TOP	1
15	#3 REBAR (Ø3/8") x 36"	7
16	12" ANCHOR PLATE/DRAFT HOOD (NOT INCLUDED)	1
17	INSULATION BLANKET (NOT INCLUDED)	1
18	SIDE REFRACTORY FIREBRICK LINING (NOT INCLUDED)	2
19	HEARTH REFRACTORY LINING (NOT INCLUDED)	1
20	REAR REFRACTORY LINING (NOT INCLUDED)	1
21	6 IN. HIGH METAL PLATFORM (NOT INCLUDED) (REQUIRED FOR COMBUSTIBLE FLOORS)	1
22	SPILL SWITCH CHANNEL	1
23	SPILL SWITCH	1

**Optional Outside Ø4"  
Combustion Air Kit**  
Model No.: MFPST-4AK



(Optional Kit includes duct)

NOTE: SOME ITEMS NOTED AS "NOT INCLUDED" MAY BE SOLD SEPARATELY OR CAN BE OBTAINED FROM YOUR LOCAL HARDWARE STORE.



## Introduction

Thank you for choosing Masonry Fireplace Industries Inc, proud manufacturers of Mason-Lite Fireplaces. Rest assured that every component of your Fireplace has been tested to ensure long-term durability.

## Product Overview

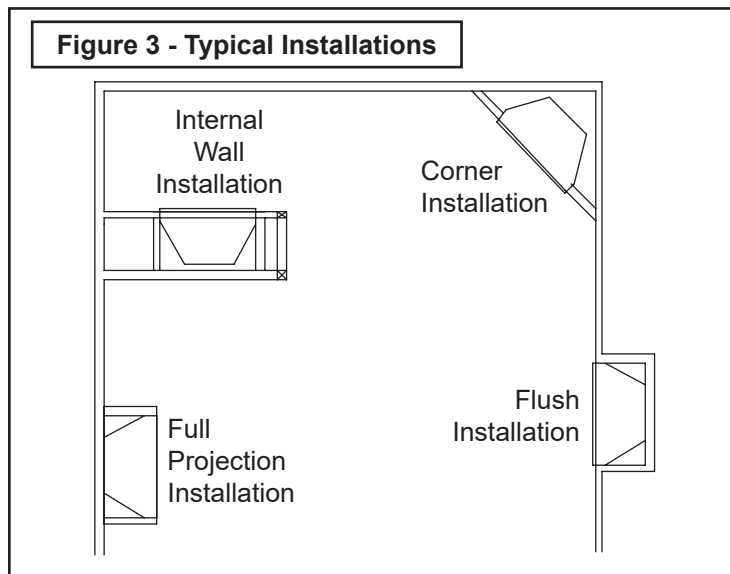
Mason-Lite Fireplaces are designed as factory-built blocks to be assembled on-site. These fireplaces may be installed on either combustible or non-combustible floors. In order to function, the system requires a 12" B-vent chimney.

### The main components of the Mason-Lite Fireplace are:

- Mason-Lite Firebox and Smoke Dome
- Gas burner, logs and control system
- B-vent
- Firebrick Liner or Firebrick hand laid individually.

Careful step-by-step instructions for each phase of the installation procedure will be given for the Mason-Lite fireplace. Those instructions generally fall into the following categories:

- Spacing and clearance as it relates to combustible materials
- Familiarity of installation for all components
- The strength of the floor on which it rests
- Chimney system measurements
- Set up and use of the gas burner system.
- Choice of materials and craftsmanship in fireplace and hearth finishing.



Note that each of these topics will be covered in detail and that the installer is expected to understand each phase completely before going on to subsequent instructions.

**Attention:** Be advised that all the illustrations in this manual are for general reference only. Do not scale drawings. Actual design elements will vary from case to case. Pay attention to specified minimum clearances to combustibles.

**WARNING!** Under no circumstances should you allow children to remain unattended while a fire is burning in the fireplace! Be sure to keep all objects – furniture, drapes, rugs, etc. at least 48"

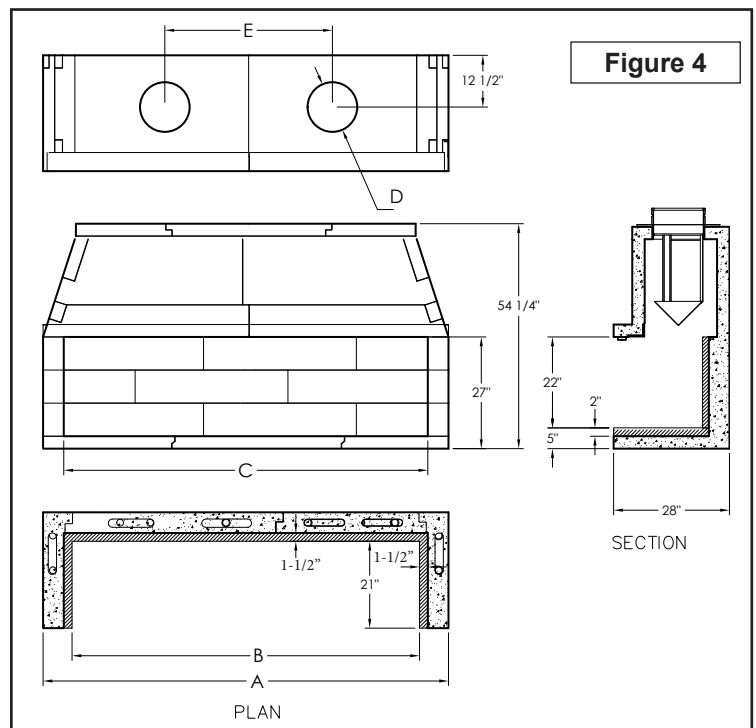
(48 inches) away from the opening of the fireplace!

**Attention:** You may need a residential building permit to install a Mason-Lite Fireplace. Consult local jurisdictions before you get started!

The Mason-Lite gas fireplace is not designed to serve as a primary heat source, rather, the fireplace was expressly created as a supplemental source of heat. This unit is designed for use with the provided gas burner and approved logs only.

Testing and listing for the Mason-Lite gas fireplace has been undertaken by RADCO Test Laboratories, Inc. to ANSI Z21.50.

These components make up the Mason-Lite gas fireplace and in the following pages, you will learn how they work together to create an exceptional unit that will give years of service and pleasure!



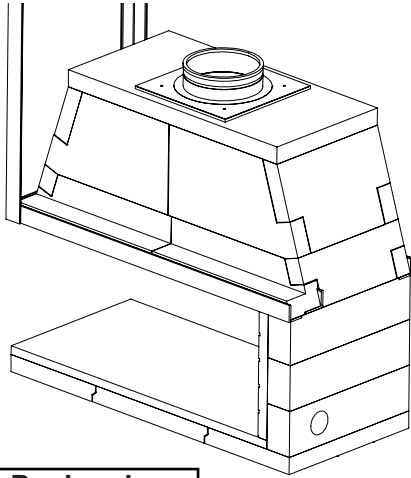
### Overall Dimensions of Mason-Lite Linear Fireplaces

Model	A	B	C	D	E
LMFP48	62"	49"	52"	(1) Ø12"	centered
LMFP60	74"	59"	64"	(1) Ø12"	centered
LMFP72	86"	71"	76"	(1) Ø12"	centered
LMFP84	98"	83"	88"	(1) Ø12"	centered
LMFP96	110"	95"	100"	(2) Ø12"	19"
LMFP108	122"	107"	112"	(2) Ø12"	25"
LMFP120	134"	119"	124"	(2) Ø12"	31"

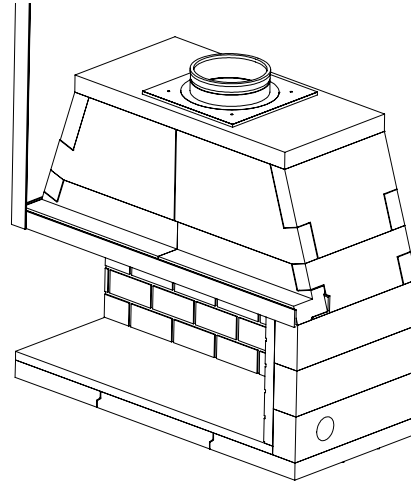


## Examples of multiple configurations

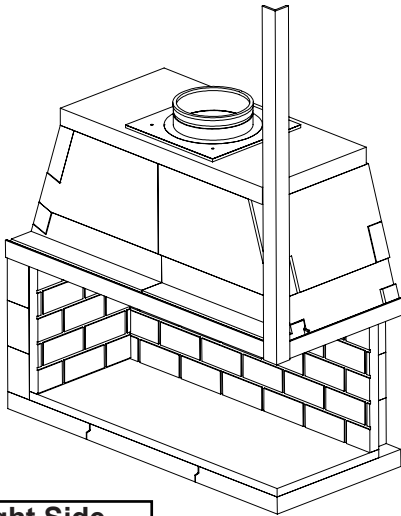
Please consult with local Structural Engineer for suspension and support calculations



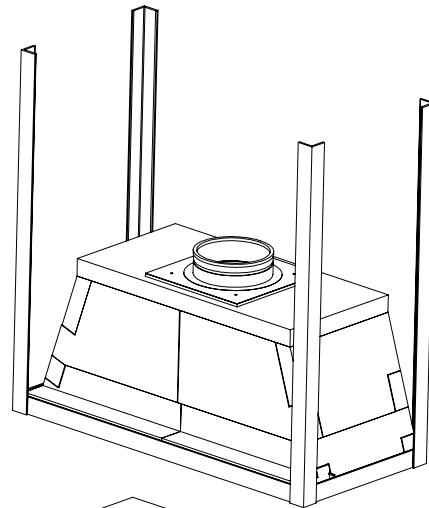
**Peninsula  
option**



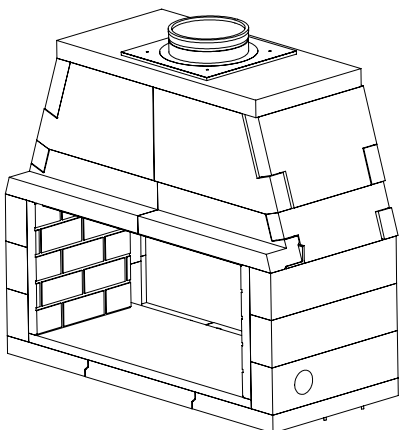
**Left Side option**



**Right Side  
option**



**4 Sided option**



**See-Thru option**

## Required Gas Pressure

The minimum inlet gas supply pressure for the purpose of input adjustment is 7" of water column (w.c.) for natural gas.

The maximum inlet gas supply pressure is 10.5" w.c. for natural gas.

A 1/8" NPT plugged tapping, accessible for test pressure connection, must be provided immediately upstream of the gas supply connection to the appliance.

## Testing the Gas Supply System

The gas fireplace and its required individual shut-off valve must be disconnected from the gas supply piping system while performing any tests of the piping system at pressures in excess of 1/2 psig.

The gas fireplace must be isolated from the gas supply piping system by closing its individual manual shut-off valve during any pressure testing of the gas supply piping system at test pressures equal to or less than 1/2 psig.

This is accomplished by closing the gas supply line valve required by NFPA 54.

## Important

To comply with building code acceptances, and for safe operation and proper performance of this fireplace, use ONLY Mason-Lite parts and accessories.

Use of other controls, parts, and accessories which are not designed for use with Mason-Lite gas fireplaces is prohibited and will void all warranties, certifications, listings, and building code approvals, and may cause property damage, personal injury, or loss of life.

The burner specified for use with this gas fireplace is non-convertible and only meant to be used with the gas listed on the rating plate.

## GUIDELINES FOR USE:

All current and future users of Mason-Lite Fireplaces are charged with the responsibility for full knowledge of the information contained within this manual which includes:

- Strict requirements for assembly.
- Detailed instructions for installation.
- Cautionary guidelines for use.
- On-going maintenance instructions.

It is the responsibility of the distributor, subcontractor and/or the general contractor – whoever shoulders the liability for installation of this product – to see to it that the work is in complete compliance with the guidelines and instructions in this manual.

Note that the general contractor is the party accountable for seeing that adequate clearances are provided from all firebox surfaces per specifications in this manual.

**DO NOT USE A FIREPLACE INSERT OR OTHER PRODUCTS NOT SPECIFIED FOR USE WITH THIS FIREPLACE.**

### **The Mason-Lite Fireplace is Designed for Use Only with:**

- The specified burner and gas log system
- Plumbed Natural Gas.

**DO NOT USE OR STORE GASOLINE OR OTHER FLAMMABLE LIQUIDS OR GASES IN OR NEAR THE FIREPLACE!**

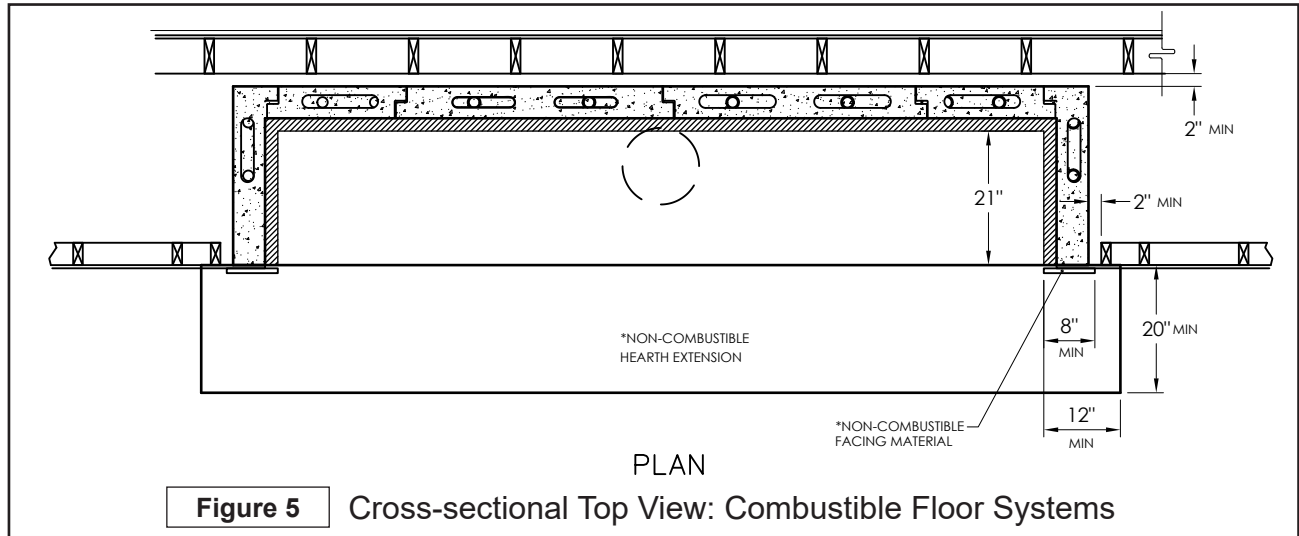
**ATTENTION:** A fire or an explosion could occur causing property damage, injury or loss of life if you do not follow the information in this manual!

This appliance, when installed, must be electrically grounded in accordance with local codes or, in the absence of local codes, with the National Electrical Code, ANSI/NFPA 70.

# Fireplace Framing Dimensions

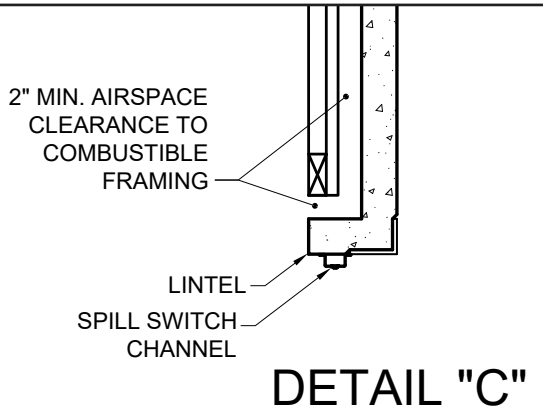
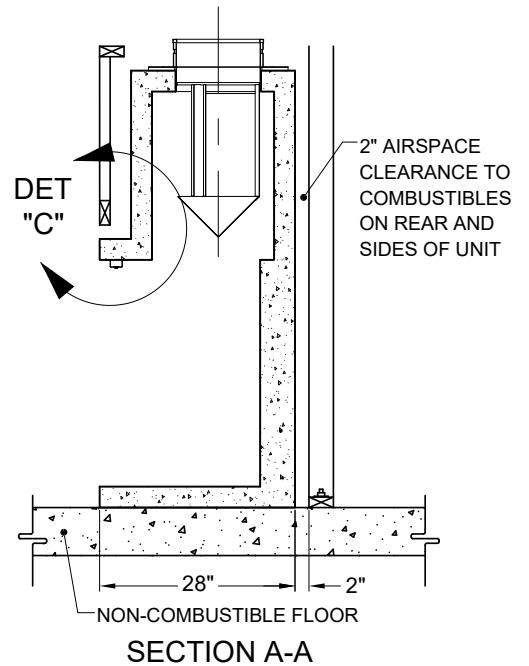
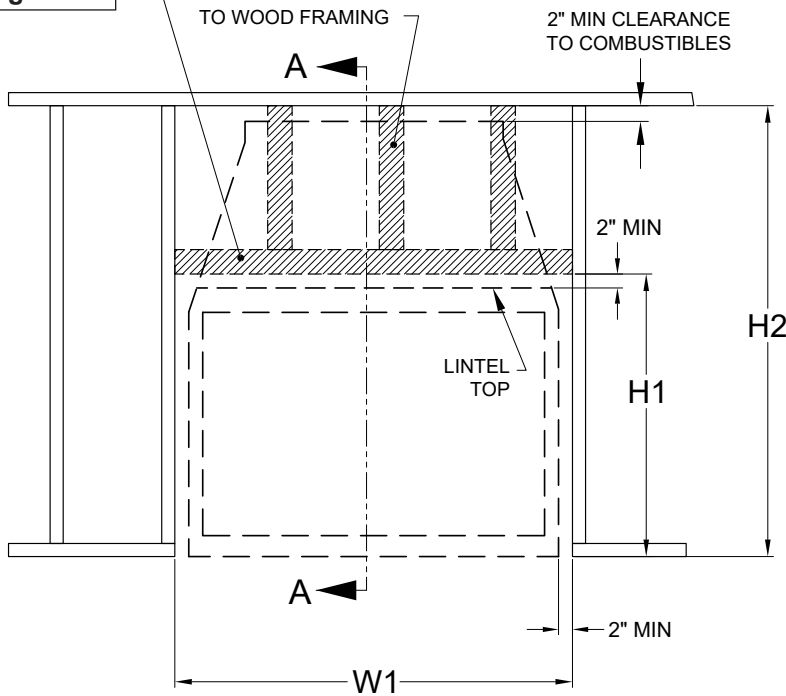
## ▲ WARNING

Failure to position the parts in accordance with these diagrams or failure to use only parts specifically approved with this appliance may result in property damage or personal injury.



## Fireplace Framing Dimensions: Non-Combustible Floor Systems

**Figure 6**



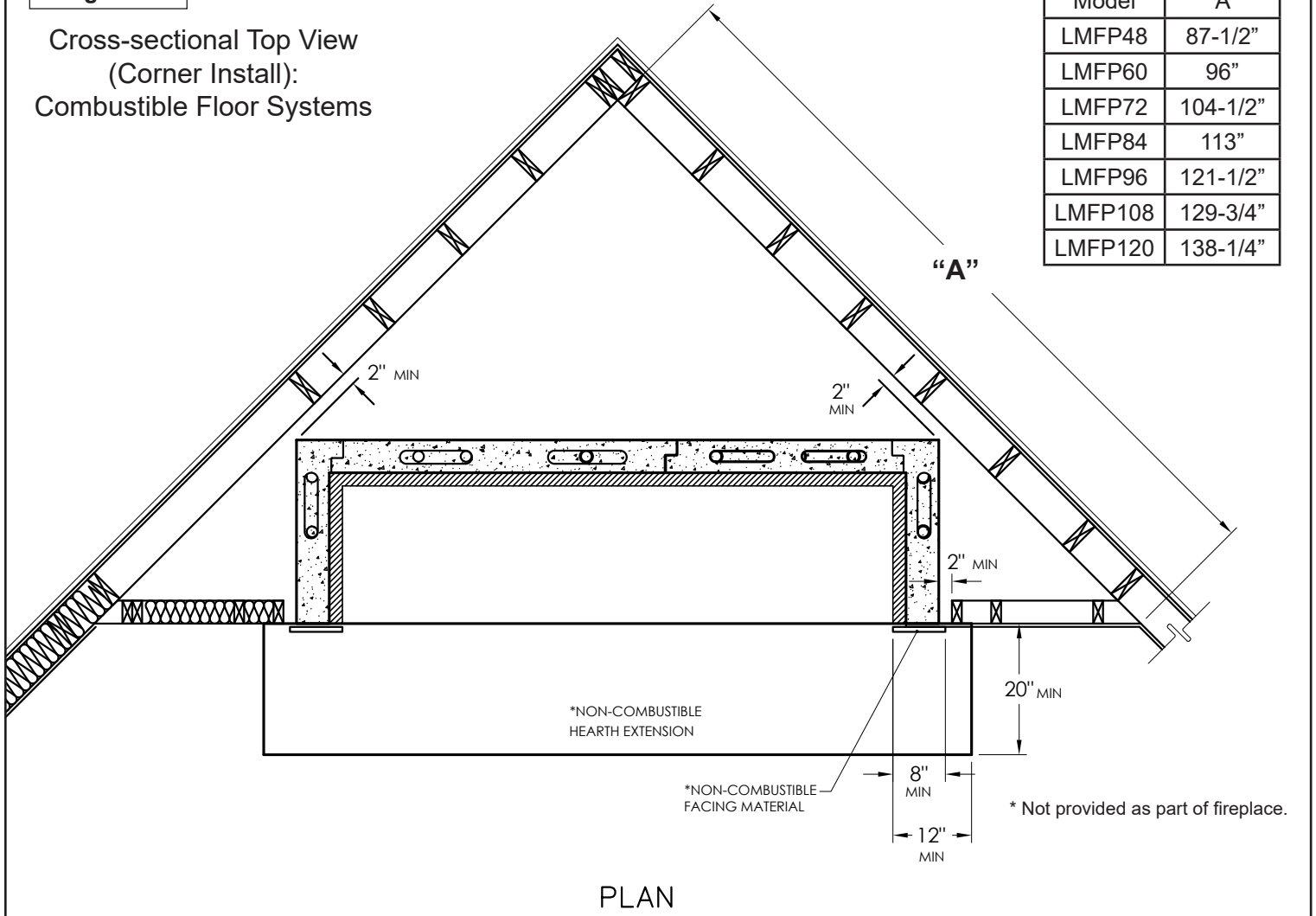
Model	W1	H1	H2
LMFP48	66"	40-1/2"	64-1/4"
LMFP60	78"	40-1/2"	64-1/4"
LMFP72	90"	40-1/2"	64-1/4"
LMFP84	102"	40-1/2"	64-1/4"
LMFP96	114"	40-1/2"	64-1/4"
LMFP108	126"	40-1/2"	64-1/4"
LMFP120	138"	40-1/2"	64-1/4"

# Fireplace Framing Dimensions

**Figure 7**

Cross-sectional Top View  
(Corner Install):  
Combustible Floor Systems

Model	A
LMFP48	87-1/2"
LMFP60	96"
LMFP72	104-1/2"
LMFP84	113"
LMFP96	121-1/2"
LMFP108	129-3/4"
LMFP120	138-1/4"



Where the flooring material at the opening of the fireplace is combustible, it is required that the hearth extension be covered with a non-combustible material. The extension should be set flush against the front of the fireplace front and measure 20" minimum at the front (1'-8" min) and 12" minimum (1'-0" min) beyond the sides of the fireplace opening as shown in Figures 5 and 7.

If a raised hearth extension is being installed, it must be constructed of non-combustible material and any material under the structure must also be non-combustible.

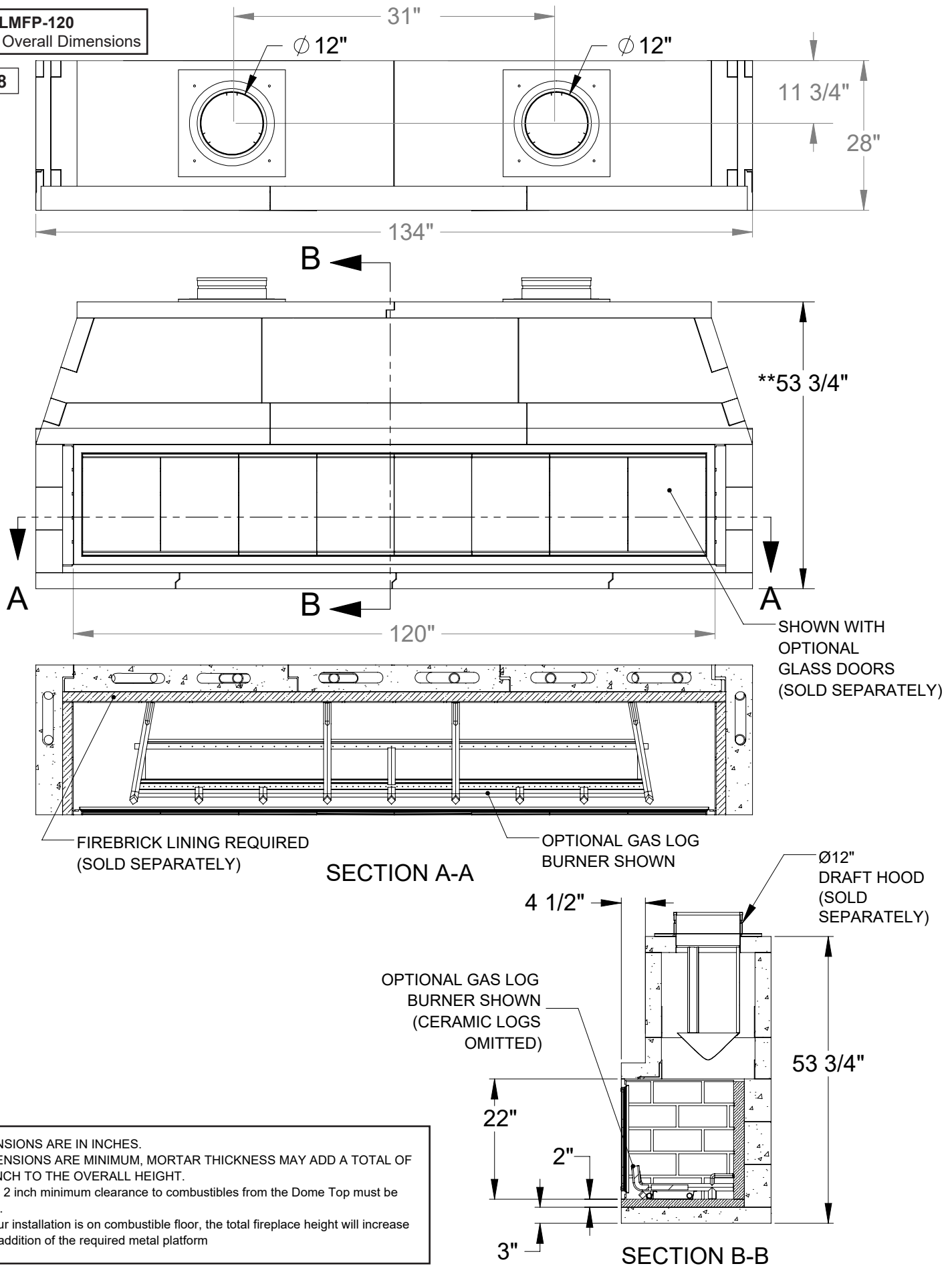
If using a raised hearth or metal base plate, note that a combustible wood header must be no closer than 2" to the top of the dome (see Figure 6, Detail "C").

**Attention:** You will note that there will be a gap between the fireplace front and the extension of the non-combustible hearth material. Be certain that you seal this with non-combustible material.

# Fireplace Overall Dimensions: LMFP-120

**LMFP-120**  
Fireplace Overall Dimensions

**Figure 8**



ALL DIMENSIONS ARE IN INCHES.  
 \* ALL DIMENSIONS ARE MINIMUM, MORTAR THICKNESS MAY ADD A TOTAL OF UP TO 1 INCH TO THE OVERALL HEIGHT.  
**Important:** 2 inch minimum clearance to combustibles from the Dome Top must be maintained.  
**Note:** If your installation is on combustible floor, the total fireplace height will increase due to the addition of the required metal platform

## Clearance to Combustibles

The distance to be maintained from the surfaces of the fireplace to combustibles must be observed. Below is a list of the most common combustible materials to name a few:

Drywall	Wood flooring	Plywood
Sub-flooring	Wood Framing	Particle board
Mill board	Plywood paneling	

### Maintain the following minimum clearances:

Unit front, sides, rear	2"	(50,8 mm)
Combustible floor	6"	(152,4mm)
Sheathing or trim to opening sides	8"	(203,2mm)
Combustible sheathing above opening top	8"	(203,2mm)
Mantel above opening	12"	(304,8mm)
Opening to side wall	20"	(508 mm)
Insulation from firebox	0"	(0 mm)

Due to high temperatures, never install this fireplace in a recreational vehicle, in high traffic areas, drafty areas, or where curtains, furniture, clothing, or other flammable objects are less than 36" from the front or side and 42" from the top of the fireplace.

**CAUTION:** This gas fireplace attains high temperatures. Keep children and adults away from hot surfaces to avoid ignition of clothing and/or burns. Even after the fireplace is shutdown it will remain hot for a time afterward. Allow the surface to cool before touching it.

Carefully supervise young children when they are in the room with the fireplace.

All fireplace openings for both combustion air and exhaust must remain open and unobstructed at all times when the fireplace is in operation. Adequate clearances around air openings into combustion chamber must be maintained.

Adequate accessible clearances for servicing and proper operation must also be maintained.

The Mason-Lite fireplace has been designed, tested and approved for 6 inch clearance to combustible floors.

Be certain that the Mason-Lite fireplace is installed with the finished fire brick floor of the fireplace so that it is at least 11" (eleven inches) above the combustible floor system.

Warning to the structural engineer and/or building contractor: It is your responsibility to be certain that the fireplace can be properly supported by the combustible floor system on which the fireplace will rest. Be advised that this engineering equation will be in addition to any live or dead weights that the floor has to carry.

## Mason-Lite Fireplace & Chimney Systems

### Before Getting Started...

Even if you consider yourself an expert in the field of fireplace installation, we at Masonry Fireplace Industries Inc. caution you to take the time to totally familiarize yourself with the instructions to follow.

We can assure you that there will be information that will make the installation go smoother and, above all, safer for everyone concerned. At the least, reading these procedures will save you time and, at the most, it will prevent any malfunction that could result in property damage or serious injury.

Do not start the installation until you have checked out all the local, regional, state and national rulings, laws and codes as they apply to fireplaces and fireplace installations. Every community is different so do not assume that because you know the requirements for one locality, it will be the same in the next. Avoid bureaucratic hassles and do your homework WELL BEFORE you start your project!

- 1) The Mason-Lite gas fireplace is designed to be installed with a B-vent metal chimney system. Such chimney systems are acceptable where any traditional masonry fireplace has been specified. Note that the chimney system must always vent to the outside of the building.
- 2) This Mason-Lite fireplace is intended as a supplemental heat source only. It is not intended as a primary heat source.
- 3) It is the responsibility of the contractor installer (not the manufacturer) to ensure that adequate combustion air is provided for proper function of this fireplace. Fireplaces take up a large volume of replacement air from outside the house and if the house is of airtight construction, smoke spillage may occur if proper draft is not achieved.
- 4) There are many conditions beyond a manufacturer's control when it comes to the operation of the fireplace. The manufacturer cannot be responsible for "smoke free" operation, nor can the manufacturer take on the responsibility for problems with surrounding construction; chimneys that have not been built at the right heights; system drafts caused by faulty mechanical systems; adverse weather conditions or any other inclement environmental situations over which the manufacturer has no control.
- 5) Inspect all fireplace & chimney components for evidence of damage prior to starting installation. Consult your local distributor for replacement parts if necessary.
- 6) Under no circumstances should you make any adjustments or modifications to the chimney system during the installation procedure. If you do, you are not only liable for negating the warranty, but you could very well cause a serious malfunction of the fireplace. You must follow these chimney instructions.



## Chimney System Heights

When installed, the maximum overall height of the Fireplace is 70'-0" (seventy feet). The minimum installed height of the completed fireplace is 14' 0" (fourteen feet), given that the chimney is straight. If the chimney includes one or more offset sections, the measurement is 17' 0" (seventeen feet).

## Supporting Floor Systems

It is the ultimate responsibility of the installer to ensure that proper concrete slab supports are used.

**WARNING** to the licensed design professional and/or building contractor: It is your responsibility to be certain that the Mason-Lite can be properly supported by the combustible floor system on which the fireplace will rest.

For fireplace support foundations installed on concrete refer to Appendix I and II (pages 31 & 32) for specific instructions.

### Rebar locations

Lay-out the position of the fireplace and drill holes where the rebar will be located. Secure the #3 rebar 4 inches into the concrete foundation with ITW Epoxy or Simpson Epoxy. Follow manufacturer's instructions for installation of rebar into slab.

### Wood Floor

Anchorage of fireplace to wood floor construction is required. Refer to **Figure 12** for anchorage dimensions. Four anchors are required to attach to the sub-flooring framing.

### Crawl Space or Upper Floor:

For installation of firebox over combustible crawl spaces or upper floors, anchorage of the firebox is required. Illustrations of examples of possible anchorage methods are shown in Figures 9 thru 11 depending upon the type of floor framing. Final method of anchorage is to be determined by licensed design professional.

For conventional framing, where the floor joists are parallel with the sides of the firebox, the addition of floor joists to align with the anchor brackets allows the brackets to be directly connected to the floor joists.

Note that additional floor joists may be required to support the weight of the firebox and chimney. Where the floor joists run parallel to the front of the firebox, anchorage can be accomplished in like manner as shown in Figure 14 using blocking between the floor joist.

For floors supported by I-Joists, the method of anchorage is illustrated in Figures 10 and 11. Figure 14 illustrates the general arrangement of anchorage to floor framing.

It is important to take into consideration that the load for the Mason-Lite Fireplace must be considered as additional dead load that will have to be supported by the floor framing. Additional floor joists or I-joists may be required as determined by the licensed design professional.

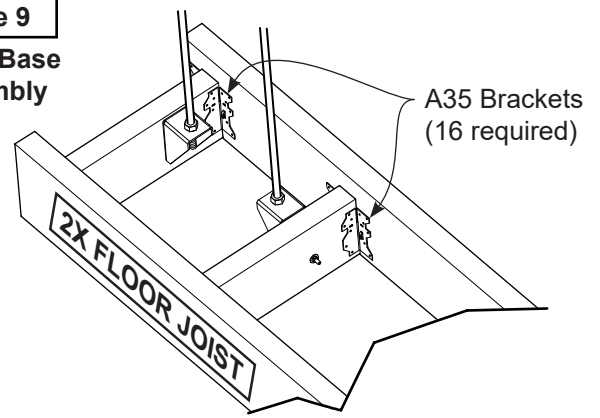
The dead weights for the fireplace are noted in Table I. It is the task and responsibility of the general contractor/installer to see that the proper reinforcement for weight loads are made by a licensed design professional prior to the fireplace installation.

As stated above, it is desirable to place additional framing

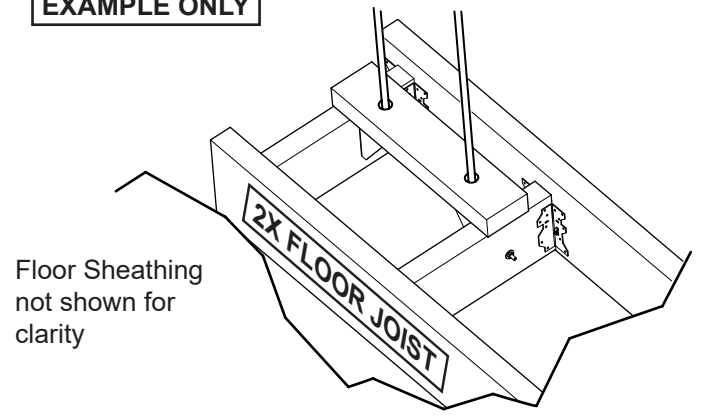
for alignment of anchor rods. Refer to Figure 12 for anchor rod locations.

**Figure 9**

**Metal Base Assembly**



**EXAMPLE ONLY**

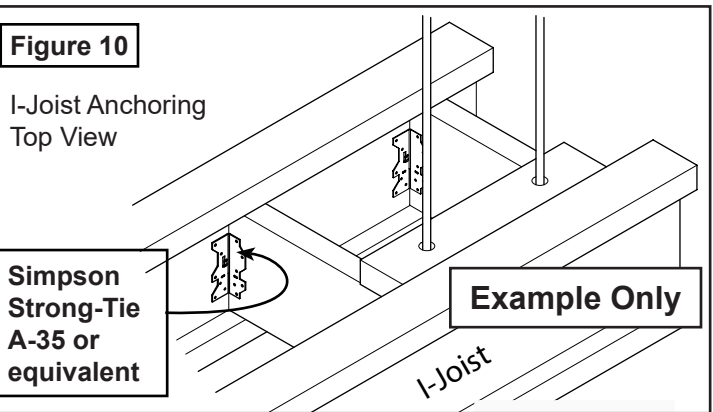


**Figure 10**

**I-Joist Anchoring Top View**

**Simpson Strong-Tie A-35 or equivalent**

**Example Only**

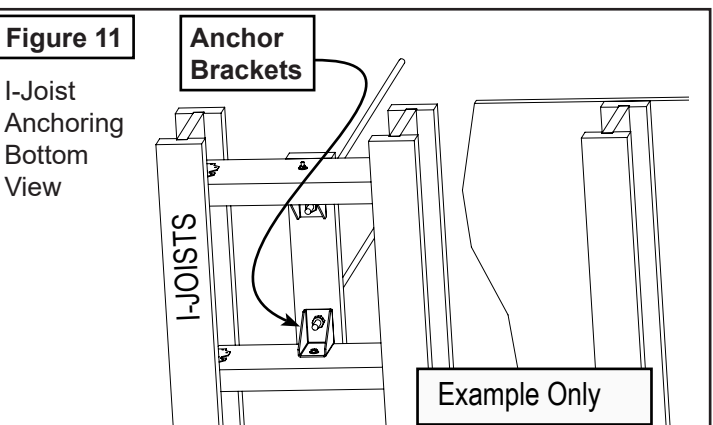


**Figure 11**

**I-Joist Anchoring Bottom View**

**Anchor Brackets**

**Example Only**



## Mason-Lite Weight Determination

The following are dead load weight estimates for the Mason-Lite Fireplace.

Table I							
Fireplace Model:	LMFP48	LMFP60	LMFP72	LMFP84	LMFP96	LMFP108	LMFP120
Fireplace Weight (dry)	1,660 lbs.	1,950 lbs.	2,250 lbs.	2,475 lbs.	2,660 lbs.	2,820 lbs.	3,200 lbs.
Mortar, Rebar & Ready Mix Concrete	250 lbs.	250 lbs.	290 lbs.	290 lbs.	330 lbs.	330 lbs.	330 lbs.
Firebrick Lining	300 lbs.	330 lbs.	360 lbs.	390 lbs.	410 lbs.	440 lbs.	470 lbs.
Draft Hood	15 lbs.	15 lbs.	15 lbs.	15 lbs.	15 lbs.	15 lbs.	15 lbs.
Floor Area	62" x 28" (12 ft <sup>2</sup> )	74" x 28" (14.4 ft <sup>2</sup> )	86" x 28" (16.7 ft <sup>2</sup> )	98" x 28" (19 ft <sup>2</sup> )	110" x 28" (22.4 ft <sup>2</sup> )	122" x 28" (23.7 ft <sup>2</sup> )	134" x 28" (26 ft <sup>2</sup> )

### Other Weight Considerations:

- 1) Fireplace finished facing (surround): This information needs to be obtained from the contractor.
- 2) Weight of metal flue: See chimney manufacturer's weight specifications. Some chimney systems can weigh up to 50 lbs per lineal foot.

Table II - Deflection Limits			
Construction	L	S or W	D + L <sup>1</sup>
Floor Members	1/360	---	1/240

**Attention:** Figure that these totals for the dead loads are in addition to the actual live load as well as other dead load requirements for the specified site's proposed floor. Only the Mason-Lite weights are known. Other weights are estimates and are subject to material choices of the installer or owner.

<sup>1</sup> For wood structural members having a moisture content of less than 16 per cent at time of installation and used under dry conditions, the deflection resulting from L + 0.5D is permitted to be substituted for the deflection resulting from L + D.

Note that Mason-Lite cannot accept responsibility for structural floor support details. All drawings are presented as mere illustrations to indicate the presence of the underlying floor system. It is the responsibility of the general contractor/installer to consult with a local licensed design professional for guidance in building a proper floor support system.

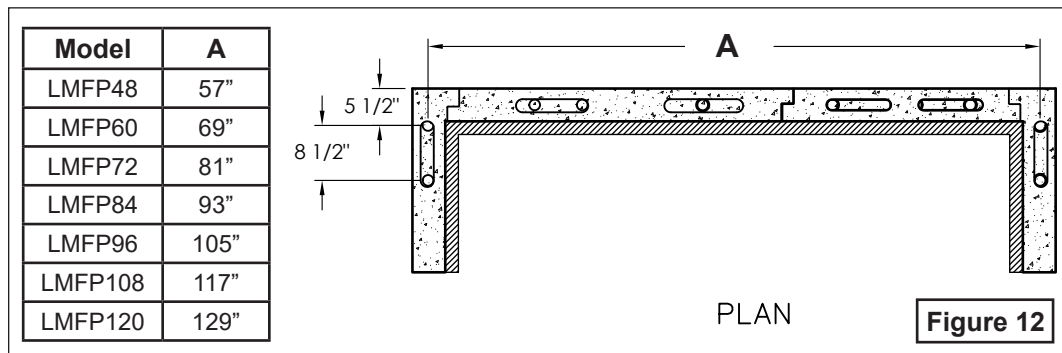


Figure 12

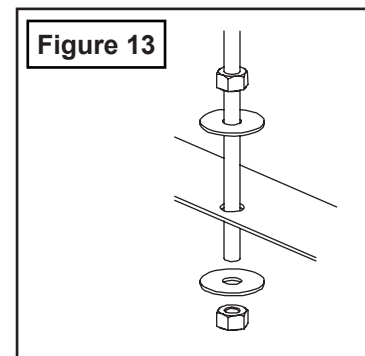
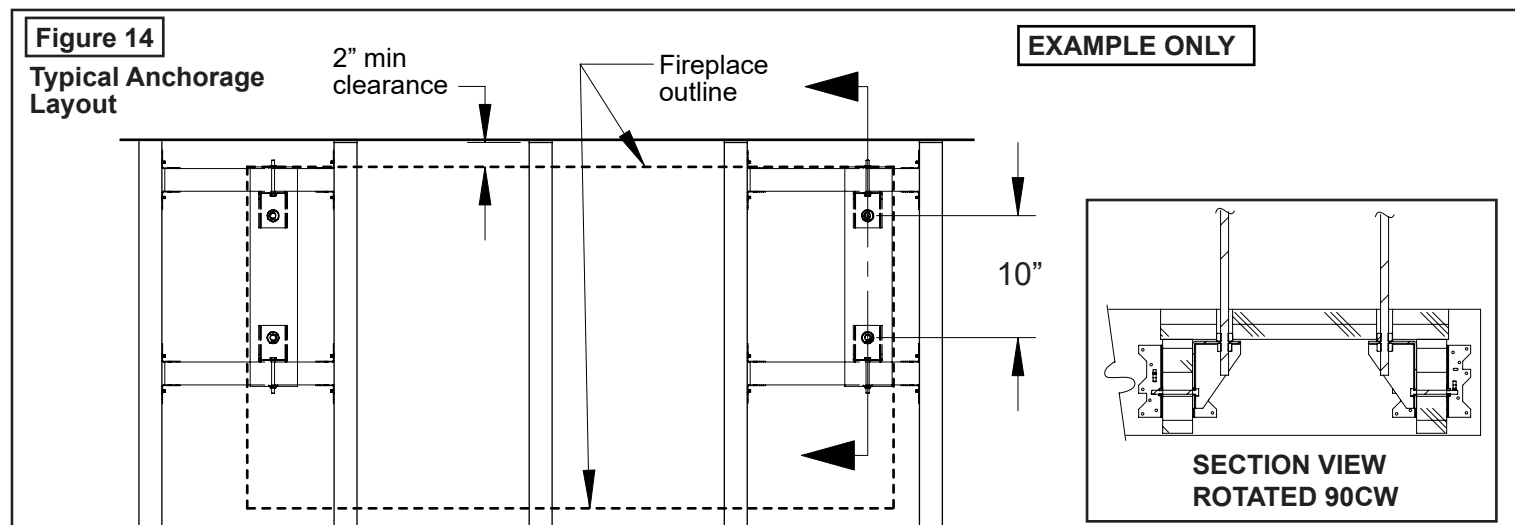


Figure 13



## What You Will Need

You will find that the Mason-Lite Fireplace is designed to be completely assembled on-site, consisting of interlocking precast parts. The parts of the fireplace are made of Mason-Lite's incredibly strong blend of specialty cement and a light weight aggregate.

**IMPORTANT!** When applying mortar, it is imperative that the concrete blocks be maintained moist (not soaking) so they don't absorb the water out of the mortar and cause adhesion to fail. Frequently run a damp sponge to the parts before mortar is applied!

The installation of an anchor plate/damper is required but not supplied. You may purchase it from any chimney manufacturer or Masonry Fireplace Industries. Also, an optional combustion air inlet MFPST-4AK can be obtained from Masonry Fireplace Industries.

Refractory Firebrick Liners also need to be installed. These should be a minimum of 2" thick. The liner will be applied within the walls and hearth area of the firebox. These are available from Masonry Fireplace Industries. See page 27.

### **Tools needed for installations:**

- One 4' level
- Roto-hammer with 1/2" drill bit (needed for concrete slab install only)
- Drill motor with mixer blade (to mix Mason-Lite Mortar)
- Two empty 5 gallon buckets (to mix Mason-Lite Mortar)
- One wheelbarrow and shovel to mix concrete.
- Grout bag
- Triangular masonry trowel
- Rubber hammer
- Sponge and water bucket to wipe down and moisten parts prior to applying mortar.

### **Materials needed for concrete slab installations**

#### **LMFP48/60/72:**

Six (6) pieces 3/8" rebar x 36" long (included with unit)

Six (6) pieces of rebar x 12" long (included with unit)

#### **LMFP84/96/108/120:**

Eight (8) pieces 3/8" rebar x 36" long (included with unit)

Eight (8) pieces of rebar x 12" long (included with unit)

### **ALL UNITS:**

- Epoxy for securing rebar in footing / foundation.
- Three (3) - 90 lb. bags of Ready-Mix Concrete with 1/4" or smaller aggregate.

### **Materials needed for wood floor installations**

#### **LMFP48/60/72:**

Six (6) pieces 3/8" rebar x 36" long (included with unit)

Six (6) ea. All-thread x 12" long (with nuts and washers)

#### **LMFP84/96/108/120:**

Eight (8) pieces 3/8" rebar x 36" long (included with unit)

Eight (8) ea. All-thread x 12" long (with nuts and washers)

### **ALL UNITS:**

Three (3) - 90 lb. bags of ready mix concrete with 1/4" or smaller aggregate.

6" Structural Metal Base to allow 6 inch airspace below the unit (required for combustible floor systems)

***SURFACE CRACKS - The Mason-Lite Fireplaces are manufactured using high quality materials. During the drying process, surface cracking may occur. These small cracks (under 1/16" will not affect the fireplace safety or performance). During the assembly process, fill surface cracks with thin-set mortar and brush when drying for a smooth surface finish.***

### **Field Assembly Procedures**

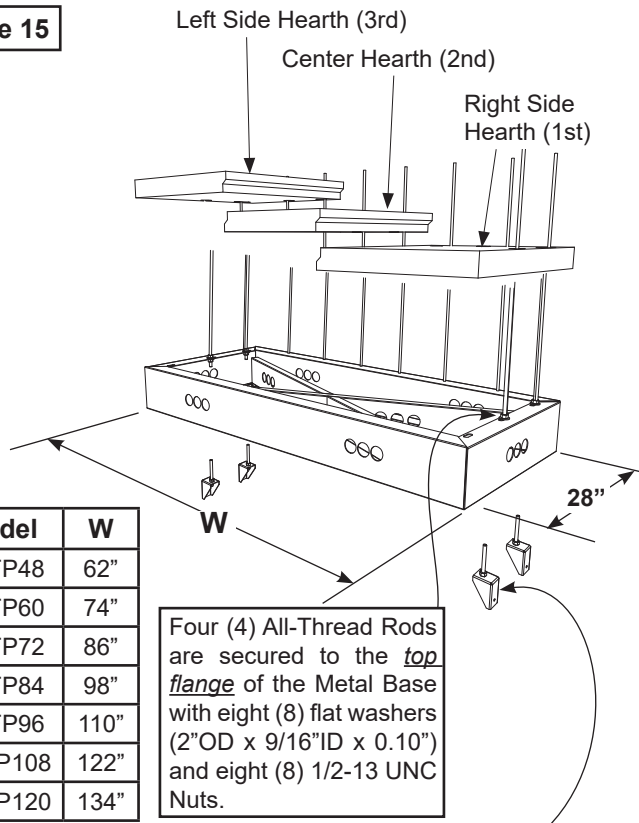
- a) Mixing the Mason-Lite mortar – The mortar comes premixed and should be dry. Be sure to use clean water and work it up into a mixture that is pasty but not lumpy. If it's too thin and the surfaces don't stay moist, the components will not adhere. Load the mixture into a standard grout bag.
- b) Apply about 1/2" (one-half inch) thread of mortar. The mortar bead should be approximately 1/2" (one-half inch) away from all edges. The mortar has a considerable amount of holding power so do not overload the components with too much mortar. Keep the components moist at all times!
- c) Some mortar will "ooze out" when placing components together, this is normal. Wipe excess away with a trowel. Do not cover component surfaces completely with mortar. Do not apply the mortar in thick bands even if the component you are working with is larger than the rest. You will want to apply "stripes" of mortar in these situations.
- d) Make sure components are level. It's extremely important that you pay careful attention to how you are assembling the Mason-Lite Fireplace since every component builds on the next. If you have to make any kind of an adjustment, do not try to do it "by loading an opening" with mortar, this will only result in a fireplace that will not be plumb or level. Use wood shims instead. **You will find these small wood shims supplied with the Mason-Lite Fireplace** and you can nudge them in between openings to achieve the precision you need in making component adjustments. Once you have removed any shims, you will want to cover any gaps that may have resulted with the mortar.

## Assembly Instructions

- Place the Mason-Lite Fireplace hearth base on top of your non-combustible floor or metal base. For concrete slabs, supporting floor needs to be rated at ASTM 90.
- a) **Combustible Floor Installations:** Position hearth slabs on top of the Metal Base (Figure 15). All-thread rods should stick up through the holes on the hearth slabs.

b) **Non-combustible Floor Installations:** Draw an outline of the hearth area based on the dimensions shown in Figure 15. Position Hearth slabs and mark rebar center locations. Drill 4 inches into concrete slab and secure rebar with epoxy.

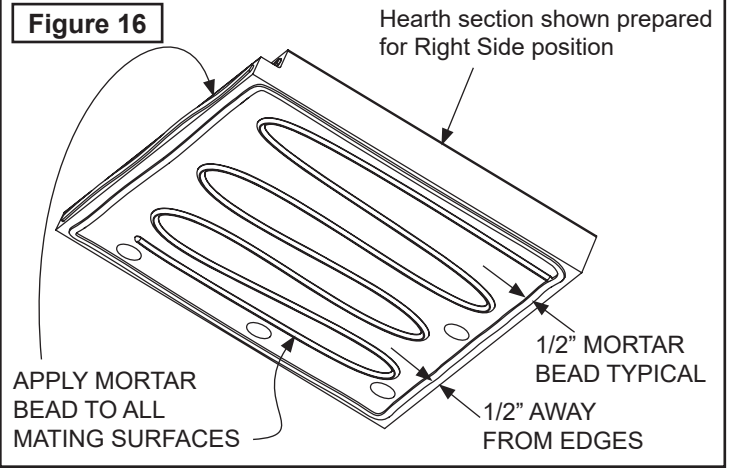
**Figure 15**



Anchor Bracket All-Thread Rods are secured to the bottom flange of the Metal Base with eight (8) flat washers (2"OD x 9/16"ID x 0.10") and eight (8) 1/2-13 UNC Nuts.

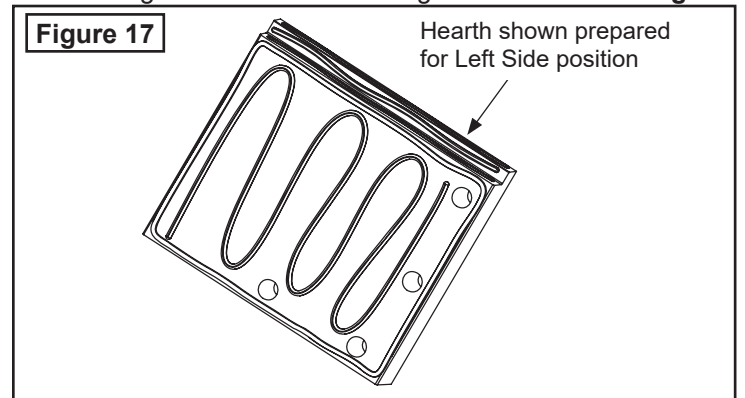
- Mix a batch of mortar and prepare bottom surface of Right Side Hearth to be bonded (Figure 16), then lower the piece into place on the outline created before. Align lower Right Side Hearth on the outline created. The width dimension allows for an approximate gap of 1/8" between slabs for the additional mortar to unite the remaining slabs. Continue process for remaining hearth sections while moistening and adding mortar between joints at slab ends.

**Figure 16**



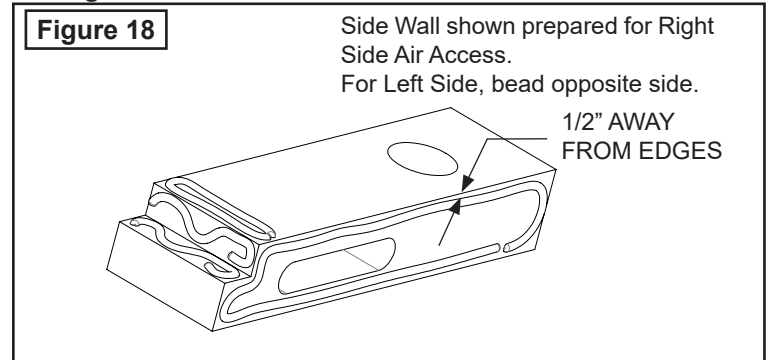
- Apply mortar in like manner to the Center Hearth and place next to the Right Side Hearth. Check that surface is LEVEL and use shims if necessary.
- Apply mortar to the remaining Hearth except this time apply beading on surface to be facing floor as shown in Fig. 17.

**Figure 17**

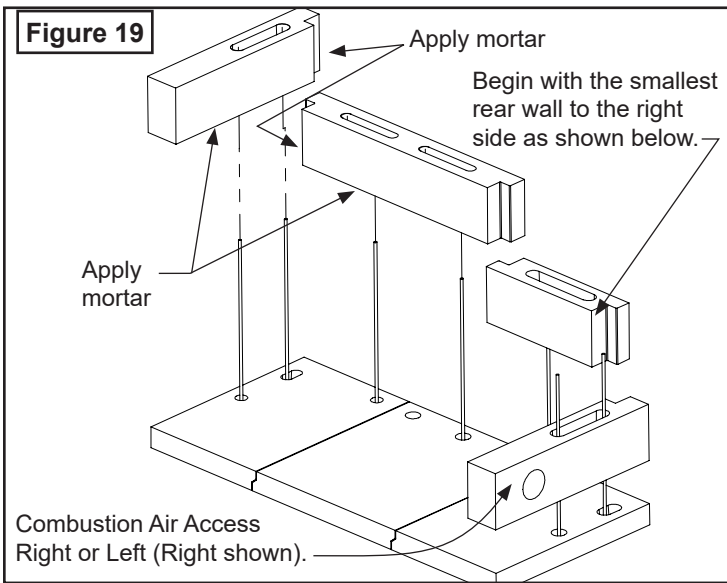


- Before installing side walls, confirm placement of outside combustion air access (if required), this can be installed either side depending on which side is accessible to outside combustion air (all diagrams in this manual show the combustion air inlet hole on the right side). Prepare side wall mating surfaces with the prepared mortar as shown in Figure 18.

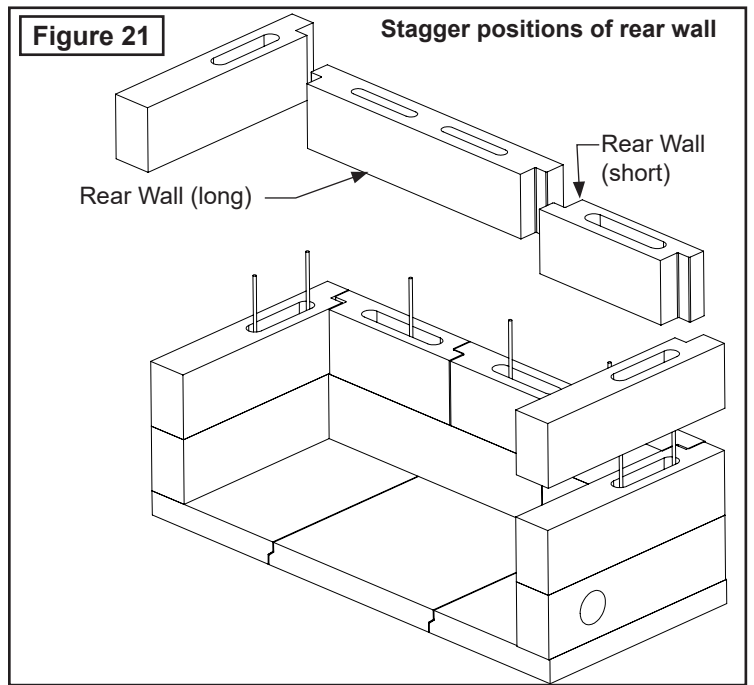
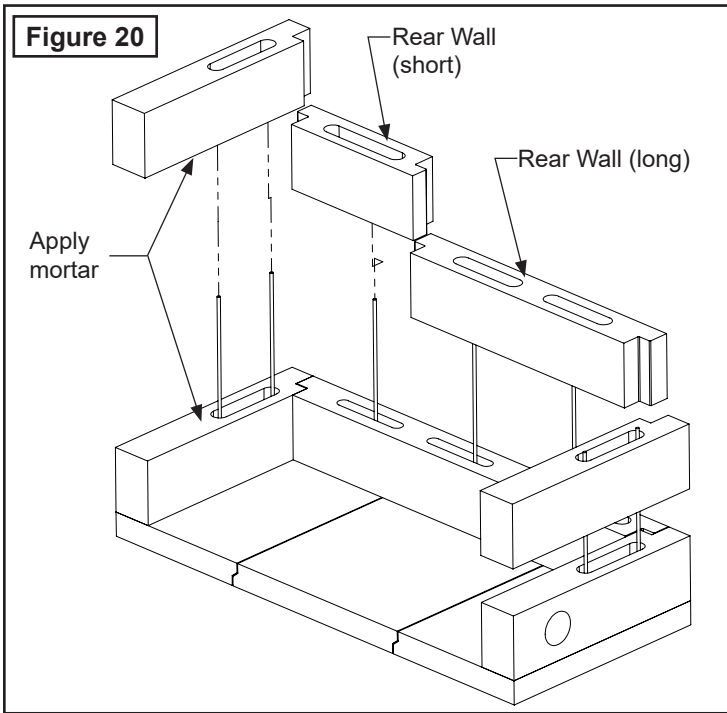
**Figure 18**



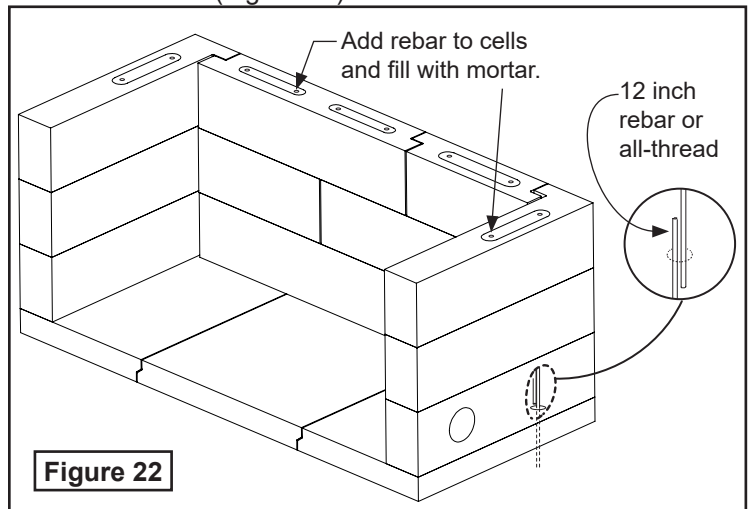
- Keep the assembly of the next sections of the firebox side walls moving up, keeping components moist, mixing mortar as you need it and threading the mortar appropriately as you stack each section, one onto the next. Constantly check for squareness and levelness while building each course of block. As you complete each section, make certain that you adhere the mortar at each and every joint.



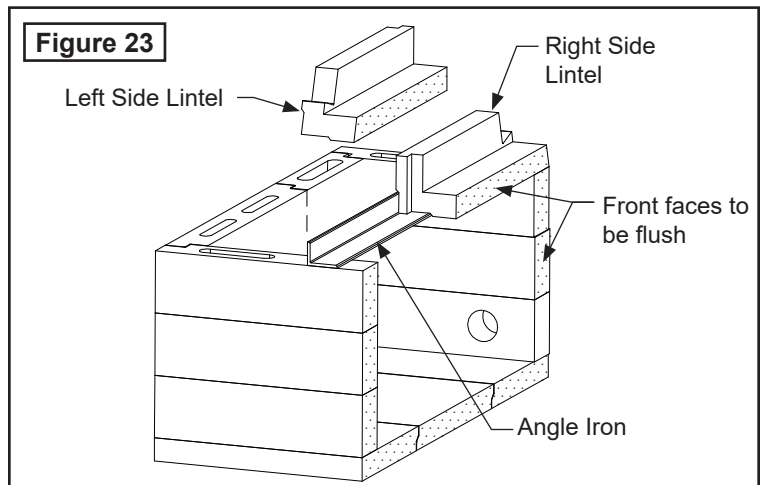
8. Rear walls are staggered on every row as shown in Figures 19 thru 21.



9. After the last tier of side walls are installed, place #3 rebar (3 ft. long pieces) vertically through the cells in the hearth, adjacent to the rebar and/or all-thread sticking up from the hearth and fill all cells with Ready-Mix concrete mix (Figure 22).



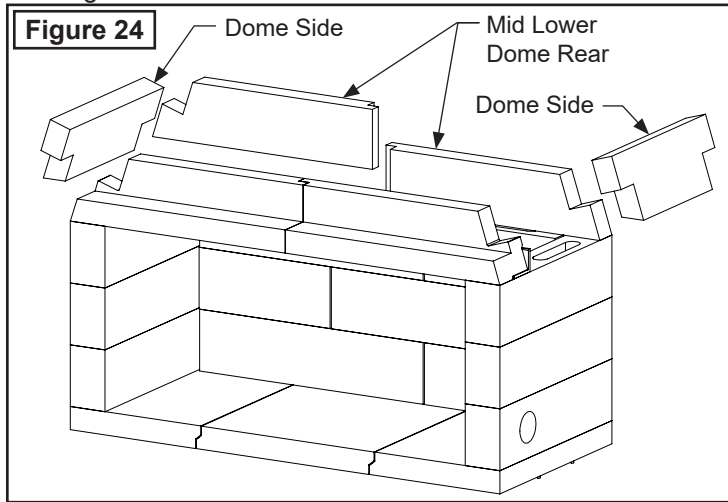
10. Set the Angle Iron then the Right and Left Lintel as shown in Figure 23. Front face of lintel needs to be flush to the front face of the side walls.





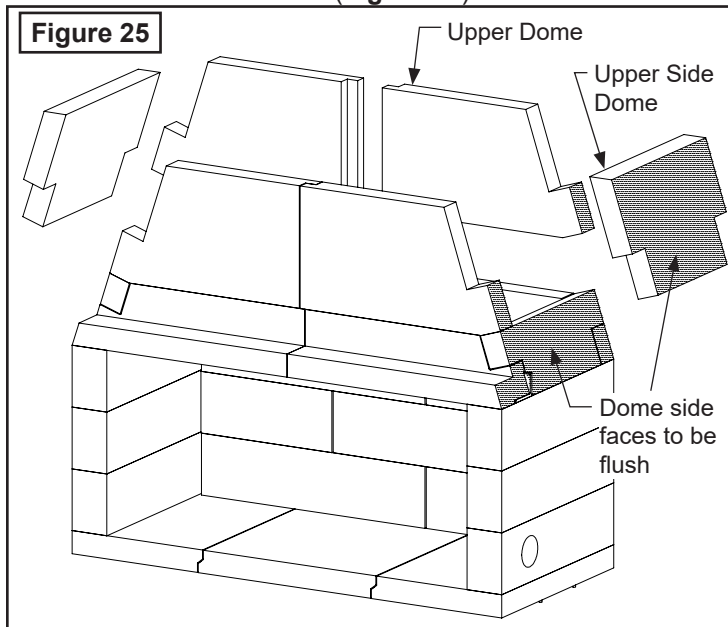
**Important:** Adjustments can only be made while the mortar is still wet when correcting for squareness and leveling.

11. Assemble Dome Sides and Lower Rear Domes as shown in **Figure 24**. The beveled face lines up with the inward angles of the lintel sides.

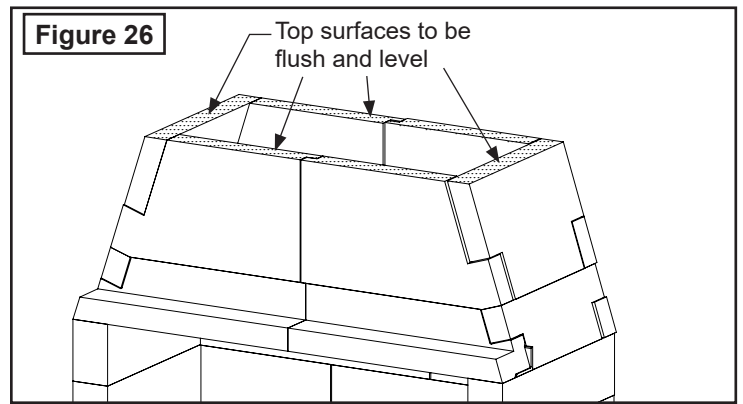


If you need to make adjustments, use shims between the lowest wall component and the top surface of the base plate. Once leveled, fill any resulting gaps with mortar.

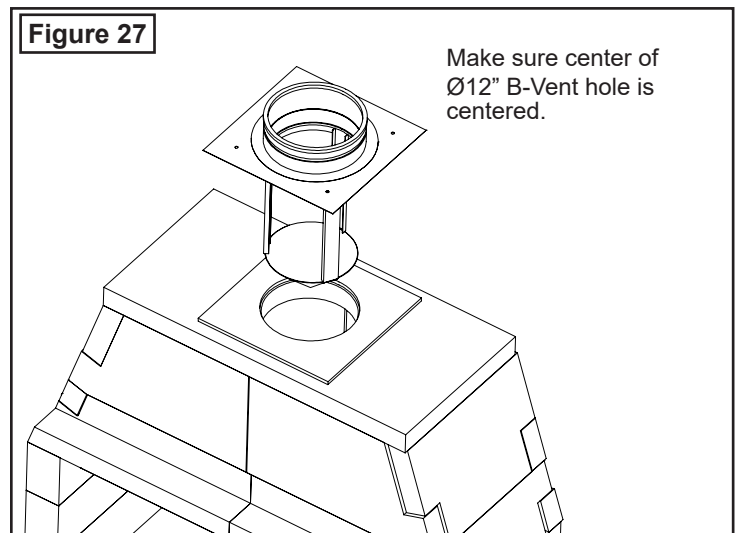
12. Assemble Upper Domes and Dome Sides as shown in **Figure 25**. Check your assembly here. If things are proceeding as they should be, the finished top surface should be flat and level (**Figure 26**).



As you are connecting each Mason-Lite component, be certain you are following the instructions given previously for using Mason-Lite mortar. Stop to look at the smoke dome side, front and rear walls to see that they are aligning correctly and that the surfaces are smooth and uniform. Make sure connections are covered with an adequate amount of mortar. Remember that you have the option of using shims but they must be removed and any holes filled. Make any adjustments to the fireplace alignment before continuing to the next step.



13. Finally, set the Dome Top into position. Be sure that it is flush in every direction as you place it on the crest of the smoke dome wall assembly (see **Figure 27**).



## Installing Draft Hood and Chimney System

Before installing your B-vent to the Mason-Lite Firebox you must install the draft hood (not supplied). The draft hood is pre-drilled with holes for four (4) cement Tapcon screws (not supplied).

1. Place insulation blanket as shown in Figure 27.
2. Place the draft hood on top of the fireplace directly over the hole in top of the fireplace and drill pilot holes for the Tapcon screws.
3. Apply hi-temp silicone around the base of the draft hood and top of the fireplace to create a good seal.
4. Install the draft hood pressing draft hood into the silicone. Screw in the 4 Tapcon screws to hold draft hood in place.



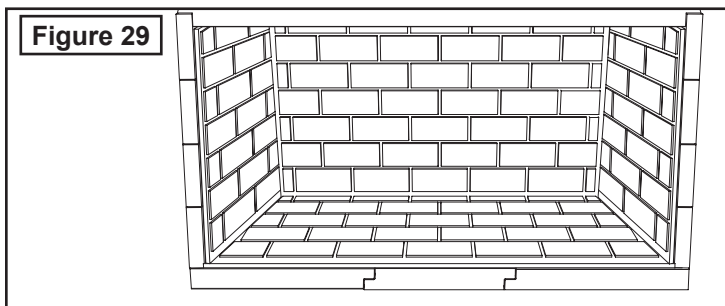
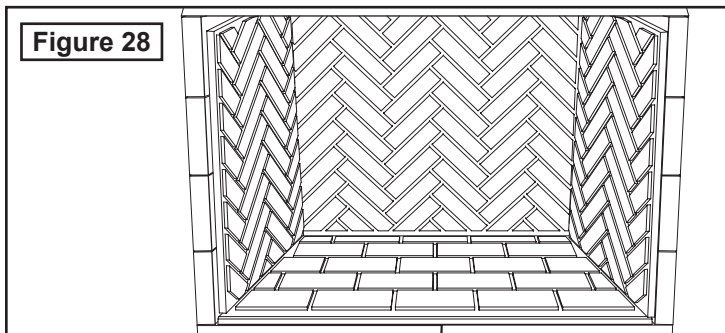
## Mason-Lite Firebrick Liner

The firebrick lining is not supplied as part of your Mason-Lite fireplace but can be purchased from Masonry Fireplace Industries. They are available in split herringbone and full running bond patterns. (see **Figures 28** and **29**)

You also have the option to have custom firebrick installed, but it must be at least 1-1/2" thick.

Before you install the lining, you will need to drill all the required gas and electrical line feeds and the combustion air supply access holes.

**Disclaimer:** Masonry Fireplace Industries Inc. cannot be held liable for the way firebrick or firebrick mortar performs. It is not unusual for heat stress cracks to appear on the firebrick or firebrick mortar during the life of the fireplace.



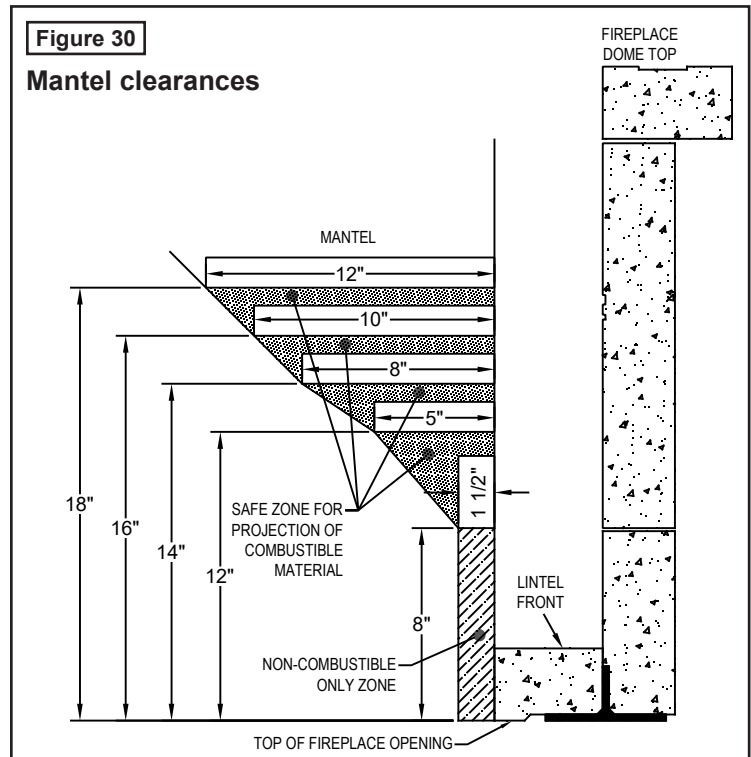
## Fireplace Finishes & Combustible Trim Clearances

1. Mantel and Mantel Shelf Clearances – As with any radiant heat fireplaces, all Mason-Lite Fireplaces must comply with building code safety clearances, per units that have openings of 6 sq. ft. (six square feet) or greater. You must keep combustibles such as trim 8" away from the firebox opening (for mantel clearances, see **Figure 30**).

**Attention:** The manufacturer suggests that when building out a fireplace, that the owner and installer opt for complete safety. Masonry Fireplace Industries, therefore, advises that combustible mantel shelves feature clearances that are more than the 12" (twelve inch) minimum equal to the projection of the shelf. As a guide, figure that a 10" (ten inch) wide shelf should be 20" (twenty inches) above the fireplace opening.

**Figure 30**

### Mantel clearances



2. Walls That Adjoin – Safety codes and all practical outlooks insist that your fireplace cannot be installed closer than 2 ft. (two feet) to any walls in the room the fireplace is housed in or to any walls of adjoining rooms.
3. Caution in Regards to Combustibles – If any part of the fireplace or objects in the room (curtains, rugs, paint, cushions, etc.) start to show warping or discoloration due to heat from the fireplace, it is time to take immediate action. Each installation requires a different set of circumstances to deal with the problem, but one thing is certain: do not use the fireplace until you have figured out how to address the problem. You are facing a potential fire hazard. The manufacturer of the Mason-Lite gas fireplace cannot be responsible for the make-up of material on the exterior of the fireplace you have chosen, nor can Masonry Fireplace Industries be held responsible for the materials in a room that may be responding negatively to heat. However, in almost all cases, there is a solution to the problem, either by making adjustments to airflow or the room itself.

## Installing Outside Air

1. Be mindful that outside, fresh air is not required for the operation of the Mason-Lite Fireplace. However, local building codes may require combustion air and it is an excellent choice in some situations, especially in weather conditions where homes are very well insulated and tightly sealed. Check local building codes for specific requirements.
2. Install Outside Air Kit (MFPST-4AK) into the Mason-Lite Firebox through the side wall opening provided. The tubing that goes out of the firebox wall must feed into a flexible metal conduit as the source for outside combustible air. It can go straight out through an outside wall or into a ventilated crawl space. If crawl space is used, check codes for proper termination.
3. Be sure that you carefully check the source of the outside

air before you choose the site for your air intake. You don't want a place where snow will collect, where bushes or trees will be growing or a location that is too close to any other structure.

4. The suggested maximum height for the air intake tubing is 20 ft. (Twenty feet) above the hearth. That height is if the intake finishes off at a minimum of 3 ft. (three feet) below the chimney cap level.
5. Install a screened termination cap to keep out animals.

## Mason-Lite Chimney Systems

### Overview

This Mason-Lite gas fireplace may be installed with an approved 12" B-vent\* chimney system. A metal chimney adapter is required to attach the chimney to the top of the firebox. This can be purchased from Masonry Fireplace Industries part number MFP-12DH.

\*Class A chimney can be used as an optional chimney system. Consult chimney system manufacturer's instructions.

Installers are cautioned to put the chimney system together exactly as instructed and shown in chimney manufacturer's guide. Any variations may have serious consequences resulting in an accident or malfunction. If instructions are not followed, the warranty on the product will become null and void.

Note that the most important aspect of the installation is the maintenance of minimum required clearances to combustible materials. Those specific installation requirements must be followed with great precision as you are dealing with the potential of fire hazard if the correct combustible limit is not met and maintained. When you look at the drawings provided in this section, you will see that actual installations may vary due to individual design preferences. That is to be expected.

Design and framing specifics may vary from the drawing to installation. Clearances to combustibles is a stringent requirement.

### WARNING:

If you do not use chimney manufacturer's parts and/or if you do not follow exact instructions for installation of chimney components, you may be responsible for fireplace malfunction, an accident or a fire hazard.

**Attention:** Be advised that your choice of Chimney System meets the following standards and requirements:

- Designed for installation in accordance with National Fire Protection Standard
- Designed in accordance with BOCA Basic National Codes
- Meets Uniform Building Codes.

### General Chimney Requirements for Height and Clearance

When installed, the **maximum** overall height of the chimney

system from bottom of fireplace to the top/termination chimney is 60 feet. The **minimum** installed height of the completed Chimney System is 14 feet with a straight flue stack, 17 feet if the chimney includes one or two offset sections.

Throughout the length of the chimney – along the outer periphery of the flue you must have at least 1" (one inch) of clearance all around the circumference. When the chimney is passing through a living space, it must be completely closed off. A "live" chimney is never allowed to be within reach of humans; the chimney must be completely designed to be hidden from view and protected, away from human interaction.

Note that it is acceptable for the chimney's firestop space and roof flashing to come in direct contact with common construction materials, such as drywall, flooring, paneling, plywood, millboard, particle board and a variety of normal framing materials. Always follow the specific installation requirements of your selected chimney manufacturer.

### Determining Finished Height for Fireplace

#### Overview

Figuring out the exact height of the Mason-Lite Fireplace you are about to install is relatively easy if you follow a few simple steps. It is a matter of determining the number of chimney sections and the chimney components that will be required for the installation. Bear in mind that the minimum height of the Mason-Lite once installed is 14'0" (fourteen feet) and that it is higher if offsets are used. Here is how to calculate the height of the completed fireplace:

1. First, ascertain the height of the chimney. This includes the distance from the very top of the smoke dome to where the top of the flue ends. That is where the smoke leaves the flue.
2. Aside from the chimney sections, include all the components that you will be using in your installation - anchor plate damper, firestop spacers, stabilizers, and offsets.
3. Create a Component Height Chart by measuring each component and completing the following:
 

Anchor Plate	=	4 "
Firestop Spacers	=	-----
Support box	=	-----
Stabilizers	=	-----
Offsets	=	-----
Pipe Sections	=	-----

(Stabilizer – Must be present on vertical chimneys every 30 feet and on offset chimneys every 10 feet.)
4. Take the total height of every component that will be included in your installation and then subtract that from the desired total height you wish the finished fireplace system to be.
5. You will need to refer to the chimney manufacturer's information in order to figure out the available lengths and the quantity of the sections that you will need.

# The Special Case of Offset Installation

## Overview

Special, detailed installation instructions must be given for the proper handling of offsetting for the chimney system. Maximum offset is 45 degrees off of vertical and there should be no more than one offset sequence per chimney system. Under no circumstances should two offsets be attached to comprise a 90 degree offset configuration. Always maintain at least 1" (one inch) of clearance around all offset installation for air space and necessary clearance from combustibles.

## Working with Floors and Ceilings

It is quite probable that when your installation must pass through a floor or ceiling, you will have to opt for a 45 degree angle in which case you are advised to use a firestop spacer. Should the length of the chimney below the floor or ceiling be less than 10' (ten feet), support the chimney at the juncture of the floor/ceiling with a stabilizer. As in all phases of chimney component installation, you will want to be sure you are making allowances at every juncture for the 1" (one inch) clearance space from combustibles.

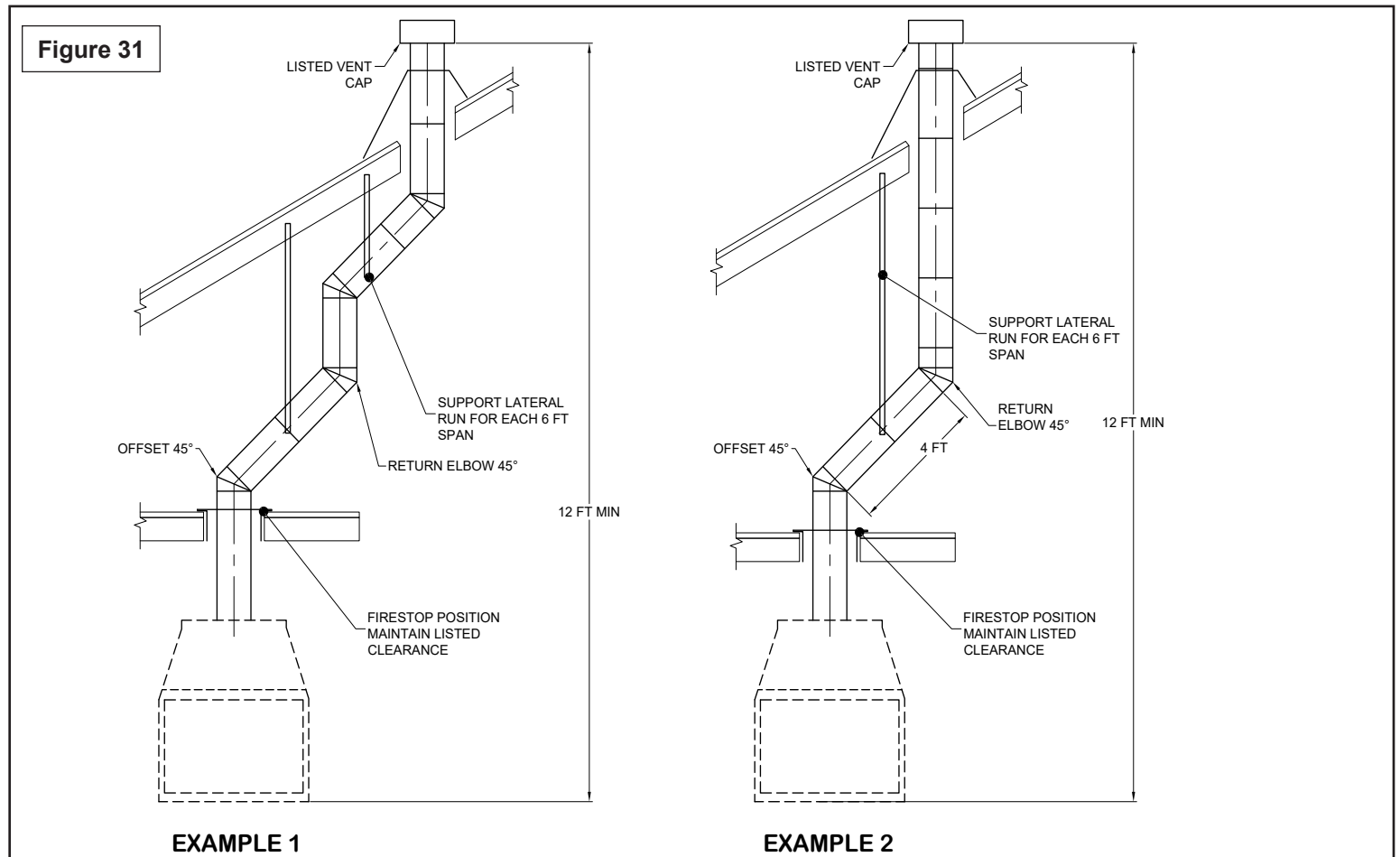
## Background Information on Offset Installation

1. When obstructions are present, it will be necessary to offset sections of the chimney using the 30 degree offset component and, for every offset component, two elbow components.

One elbow begins the installation procedure and the second elbow is used to finish off each section. In all likelihood, a 30 degree offset elbow will probably be the first hardware used off the top of the anchor plate damper.

**Note:** Under no circumstances should you use an offset elbow in place of a return elbow. They have distinct purposes in the configuration of the offset installation and they cannot be interchanged, part for part.

2. Depending on the configuration you are contending with, you may either attach the elbows and offset piping together or you may need to insert sections of the vertical chimney. Whatever the scenario, you cannot allow sections of the chimney to measure more than 4' (Four Feet) between elbows.
3. Assuming you have sections of vertical pipe that are more than 4' (Four Feet) measuring between elbows, you must insert – at midpoint – a chimney stabilizer. When installing the stabilizer, pull out the support straps with a good amount of tension and hammer to the frame.
4. If your offset sections go over 6' (six feet) in length, you will need to give added support using a #8 X 1/2" sheet metal screw (recommended). The screw will be fastened underneath the joint. To ensure a tight fit for the screw, drill a hole that is 1/8" (one-eighth inch) in diameter right at the chimney joint's underside. Be sure that you position the drill at the very center of where the joint overlaps. Be very careful not to drill through the inner casting; drill only through the outer chimney. For systems needing multiple offsets with sections over 4' (four feet), please use an EnerVex Fan to ensure a good positive draft.



## Venting Installation

A “B-type” venting system must be connected to the appliance for venting to outside of building. The following section is provided as a guide to a standard B-type vent installation.

Standing codes requirements concerning B-type vent installations may vary within your state, province or local codes jurisdiction. Therefore, it is recommended that you check with your local building codes for specific requirements or in absence of local codes, follow Section 7.0 of the current National Fuel Gas Code ANSI Z223.1/NFPA 54 for Category I systems using double wall B-1 vent pipe.

This gas appliance must be vented to the outdoors only and may not be terminated into an attic space or into a chimney flue servicing a solid fuel burning appliance.

This appliance may be vented through a manufactured chimney system or a masonry chimney using a B-vent adapter or a chimney liner system if the system is listed, inspected and approved by local codes and/or building authorities. The examples shown in Fig. 2 are typical of most B-vent installations and codes practices.

**Example 1:** Shows the minimum allowable system height and lateral offset for an inclination of 60° or greater.

Code specifies that offsets of 60° or greater are considered horizontal and must follow the 75% rule for lateral to total vertical system height.

Codes also allows only one offset in the total system when at 60° or greater.

The total vertical height in this example represents the minimum height of 8 ft. and therefore the allowable lateral is 6 ft. when the 75% rule applies.

If the lateral length must exceed 75% then the system must be sized in accordance with the Category I venting tables.

**Example 2:** Shows a multiple offset each at a 45° inclination.

Multiple offsets are permitted if they do not exceed a 45° inclination. The total lengths of the two offsets are not required to meet the 75% allowable rule.

**Example 3:** Shows a single offset at 45° of inclination and therefore the lateral length at 10 ft. of offset does not have to meet the 75% rule.

In each case the offsets must be supported and firestops must be positioned wherever the vent must pass through a sub-floor, ceiling joist or an attic overhang.

The vent pipe must terminate vertically into a listed type vent cap and extend a sufficient height through an approved roof flashing, roof jack or a roof thimble. At all points the listed clearances must be maintained.

Vent terminations must be located in accordance with height and proximity rules of NFPA No. 54.

These rules apply to vents at 12” diameter or less and require a minimum height in accordance with the roof pitch and a minimum of 8 ft. distance from a vertical wall or obstruction (see Figure 32).

If venting horizontally through a side wall becomes necessary, a listed thimble approved for use with B-type vent must be used.

Check with your local codes before venting through a side wall.

Some codes areas allow the use of existing B-type vent systems if the system is at or above the recommended diameter of the flue.

The flue connection must be made using listed B-type connectors and the existing system must be code inspected for damage and proper installation.

It is not recommended that this appliance be common vented with an existing gas burning appliance. However, if it becomes necessary to common vent this appliance, the venting system must be sized and configured in accordance with the common venting guides Appendix G of the current National Fuel Gas Code NFPA No. 54/ANSI Z223.1.

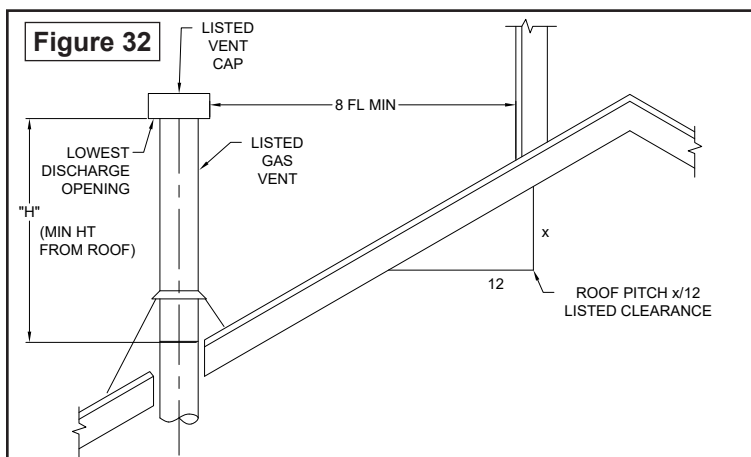
**Note:** Before connecting this appliance to an existing vent system or a common venting system, consult with your local architect, planner, or building official.

## Specifying Chimney Heights

If the horizontal distance from the mid-point of the chimney to the peak of the roof ridge is less than 10 feet, the top of the chimney must be at least 2 feet above the roof ridge. This is called the “2 foot in 10 foot” rule.

If the horizontal distance from the chimney’s center measured across to the ridge of the roof is more than 10 feet, the top of the chimney still needs to be at least 2 feet above a point measured from a distance of 10 feet horizontally along the roof.





**TABLE 2**

Gas vent systems using vent caps listed by Underwriters Laboratories may terminate in accordance with this vent termination table.

ROOF PITCH	MINIMUM HEIGHT	
	FEET	METERS
FLAT TO 7/12	1	0.3
OVER 7/12 TO 8/12	1.5	0.46
OVER 8/12 TO 9/12	2	0.61
OVER 9/12 TO 10/12	2.5	0.76
OVER 10/12 TO 11/12	3.25	0.99
OVER 11/12 TO 12/12	4	1.22
OVER 12/12 TO 14/12	5	1.52
OVER 14/12 TO 16/12	6	1.83
OVER 16/12 TO 18/12	7	2.13
OVER 18/12 TO 20/12	7.5	2.29
OVER 20/12 TO 21/12	8	2.44

Though there are many configurations in meeting these requirements, chimney height cannot be fewer than 3 feet above the roof at the edge of the chimney.

If the roof is flat, the chimney must extend no fewer than 3 feet from where it intersects the roof. If the chimney is entering the roof at an angle, measure the shorter angle where the chimney intersects the roof which should be at least 3 feet.

**Note:** The previous guidelines do not take into consideration outside conditions which may require a higher chimney due to foliage, other buildings, power lines and weather conditions in your area. Follow the chimney manufacturer's installation guide for further information.

## Chimney Termination Units

You will be installing at or possibly near the top of the chimney chase flashing. A top termination unit is the essential piece of equipment in keeping sparks out of the atmosphere. Before installing this important piece of equipment, you will have to make a judgment call as to whether or not the termination unit – like all the other exterior exposed chimney components, for that matter – should be painted in order to protect it/them from rusting and weathering. Particularly if you are installing the fireplace and chimney near water or in a high humidity area,

the manufacturer recommends a top quality, rust-proof paint especially formulated for metal. Follow the paint manufacturer's directions, applying the paint well before you are scheduled to install the round top termination unit or any of the flashings or flues that will be exposed to outside weather conditions.

Venting terminals shall not be recessed into walls or siding. This appliance, when installed, must be electrically grounded in accordance with local codes and in the absence of local codes, with the National Electrical Code, ANSI NFPA 70, or the Canadian Electrical Code, CSA C22.1.

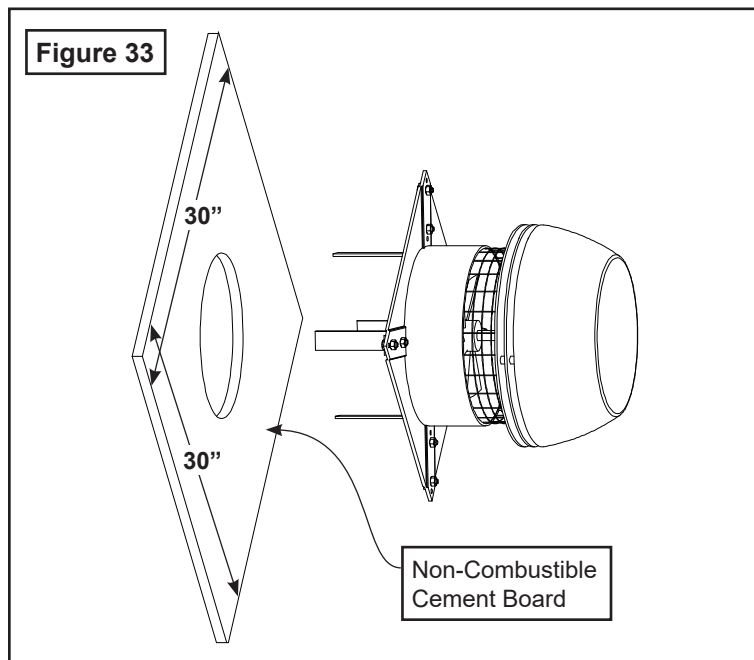
## Wall Mounting of Chimney Fan

When mounting the chimney fan on a wall, the installation instructions for installation on a steel chimney should be followed. Use of the adapter SCA can make the installation easier but is not a requirement.

To ease installation, detach the fan base by removing the bolts holding the hinges together. Center the fan base over the outlet and bolt the base onto the wall with the hinges pointing upwards. After mounting the base securely, attach the fan motor housing by reassembling the fan hinges. Seal with silicone all around the fiber mat to prevent rain from entering the flue.

Vent runs are approved for up to 70 feet with a qty. of six (6) 90° elbows with use of an Enervex Fan and ADC100 Controller.

Please refer to Enervex Installation Instructions.



## Important Pre-installation Information

Before you begin, review the information and safeguards below regarding the installation and operation of the gas Fireplace.

**This fireplace may only be connected to the gas supply listed on the label.** Never use propane gas in a gas fireplace designed for natural gas or natural gas in a gas fireplace designed for use with propane gas.

The gas fireplace must be installed by a Masonry Fireplace Industries Certified or other qualified professional installer. The installation, including provisions for combustion and ventilation

air, must conform with local codes, or, in the absence of local codes, with the latest edition of the National Fuel Gas Code, ANSI Z223.1, and NFPA54.

Keep the fireplace area clear and free from combustible materials, gasoline, and other flammable vapors and liquids.

The fireplace must have a gas supply line that has been installed by a qualified technician in accordance with all local codes. The gas supply line must be 1/2" minimum interior diameter. If the gas line to the fireplace is longer than 5', a larger diameter line may be necessary.

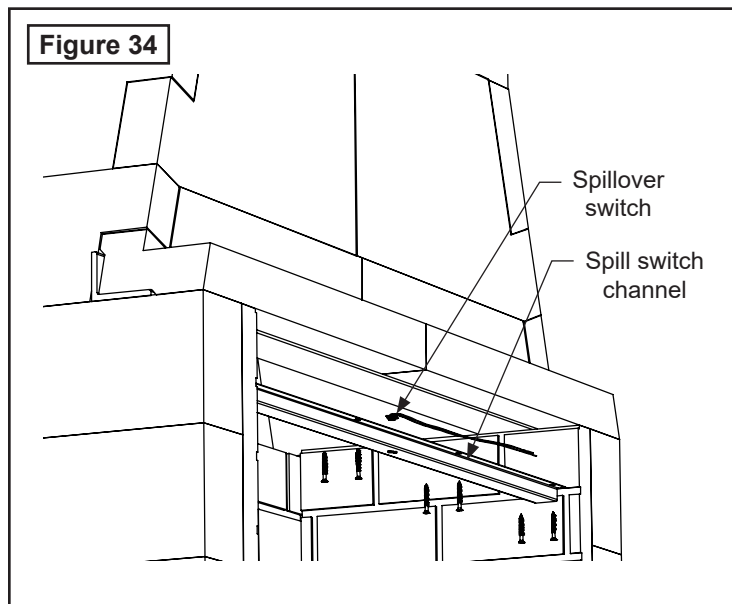
\*Nominal BTU based on gas inlet pressure. Nominal gas inlet pressure for natural gas is 5" W.C

### Installing the valve/control box assembly

1. Fasten the valve/control box assembly to a stud such that the control switch is facing in the desired direction and flush with the future location of the finished wall or other enclosure.
2. Install the two 'D' batteries into the battery holder within the control box.
3. Run the wires for the spill switch through the small hole in the upper wall. Important: This control box must remain accessible and removable for service after installation.

### Installing Spill Switch and Baffle assembly

1. Connect the blade connectors on the spill switch wires to the matching wires from the valve/ control box assembly coming through the upper hole in the firebox.
2. Use Tapcon screws to secure Spill Switch Channel to the underside of the lintel.



**Important:** This baffle assembly and only this the supplied assembly (with spill switch) must be properly installed for the safe operation of this gas fireplace.

## Owner's Operation & Precautions

Installers of the Mason-Lite are urged to call the attention of fireplace owners to the following precautions.

The installer should hand-deliver this owner's manual to the owner or leave behind with the unit after it the installation is complete.

**Warning:** Use only the included fireplace grate or manufacturer approved replacement.

**CAUTION:** Use only the logs that come with this gas fireplace. The manufacturer cautions against using chemical chimney cleaners. **Never burn solid fuel in this fireplace under any circumstance.**

1. First Lighting of the Mason-Lite – After construction is completed, all elements of the fireplace and chimney system must be completely dry. This means that the unit must stand without any firing for a minimum of 28 days. Only after that period of time can a first lighting take place. Do not let the fire burn for more than one hour. After this first lighting – when the fireplace has started to “cure” Do not set another fire for at least 24 hours.
2. Second Lighting – With the second lighting you can let the fire burn two hours – no more.
3. After First and Second Lighting – When the fireplace has been properly cured with careful “maiden” firings, you will be able to run the burner for as long as you like.

### Attaching the Burner and the Grate

1. Unpack the burner assembly and place the rear legs of the burner into the brackets in the back of the firebox.
2. Thread the pilot lines from the burner pilot assembly and through the hole in the lower side of the firewall to the valve/control box assembly and attach to the valve.
3. Connect the supplied flex connector from the output of the valve, through the hole and to the burner.
4. Connect the second flex connector from the input of the valve to the gas stub down stream from the required manual shut-off valve.

Note: The required 1/8" NPT up stream pressure tap is built into the valve (**Figure 50**).

**CAUTION:** CHECK ALL CONNECTIONS FOR GAS LEAKS USING A HALF-AND-HALF SOAPY WATER SOLUTION.

IF A LEAK IS DETECTED TIGHTEN CONNECTIONS AND TEST AGAIN.

NEVER USE AN OPEN FLAME TO CHECK FOR GAS LEAKS.

5. Fill in the holes you have drilled around the gas piping with the regular Mason-Lite mortar.

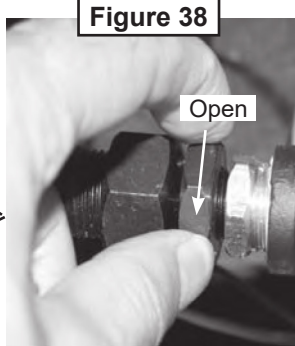
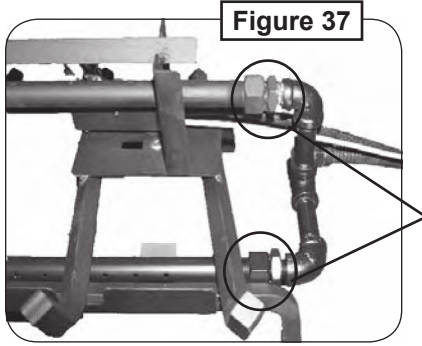


### Placing the Decorative Lava Rock

If desired, open the bag of lava rock and pour its contents around the base of the grating in an attractive pattern. Do not place the Lava Rock on the logs or grate.

### Adjusting Air Mixers

Burners are equipped with air mixers for the top and front burners. Adjust the size and color of the flame by opening (turn outward) or closing (turn inward) as shown in **Figure 37, 38**.



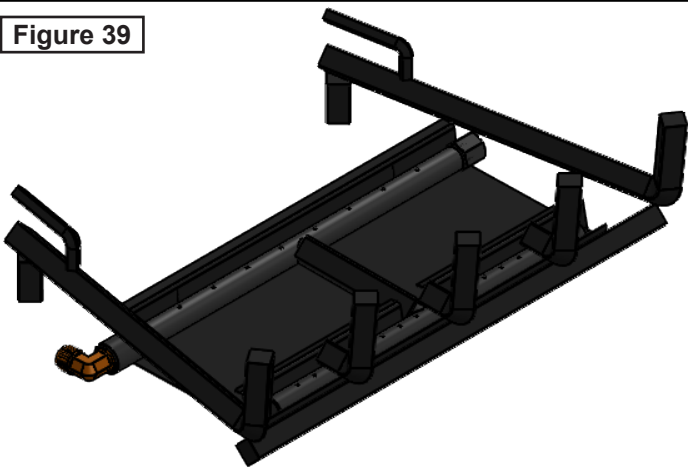
# Log Placement

## Placing the Logs

1. Place the back bottom log on the grate behind the top burner and as far forward (against the top burner) as possible without touching the pilot. The flat side should be down and the heat chambers facing the back of the fireplace (**Figure 40**).
2. Place the front log on the grate in front of the top burner pipe with the flat down and the heat chambers toward the burner pipe and the log as far forward as possible while keeping the back parallel with the burner pipe (**Figure 41**).
3. Place top logs across the front and back logs in the order and positions shown in **Figure 44**.

## LOG SET 48

Figure 39



### WARNING

Failure to position the parts in accordance with these diagrams or failure to use only parts specifically approved with this appliance may result in property damage or personal injury.

Figure 40



Figure 41



Figure 42

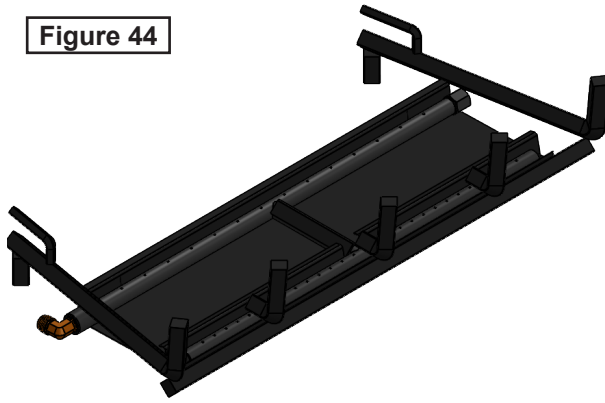


Figure 43



**LOG SET 60**

**Figure 44**



**Figure 45**



**Figure 46**



**Figure 47**



**Figure 48**





**LOG SET 120**



# Lighting and Operating Instructions

## FOR YOUR SAFETY, READ BEFORE LIGHTING

**WARNING:** If you do not follow these instructions exactly, a fire or explosion may result causing property damage, personal injury or loss of life.

Do not use this gas fireplace if any part has been underwater. Immediately call for a qualified professional service technician to inspect the fireplace and to replace any part of the control system and any gas control which has been under water.

The Mason-Lite burner system has a pilot which can be lit by hand using a match or lighter. When lighting the pilot, follow these instructions exactly.

**BEFORE LIGHTING**, smell all around the burner area for gas. Be sure to smell next to the floor as some gas is heavier than air and will settle on the floor. IF YOU SMELL GAS, FOLLOW THE INSTRUCTIONS ON THE COVER (P. 1).

### TO LIGHT THE FIREPLACE WITH THE WALL SWITCH

Move the ON-REMOTE-OFF wall switch to the **ON** position (**Figure 52**). This transmits a rapid series of sparks at the pilot head and will ignite the gas.

### TO SHUT DOWN THE GAS FIREPLACE USING THE WALL SWITCH

Move the switch to the OFF position (**Figure 52**). The gas flow will cease, and all flames (main burner and pilot) will go out (see important note below).

### OPERATING THE BURNER USING THE REMOTE

Move the wall switch to the REMOTE position and follow the instructions included in the remote kit for lighting and shutting down the attached burner.

**IMPORTANT:** Do not allow the fireplace opening to be blocked in any way while operating the fireplace. The fireplace may be operated with a Mason-Lite screen installed and drawn.

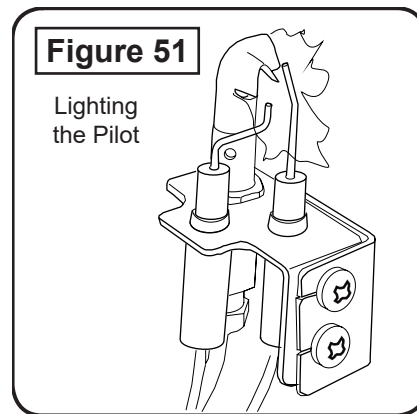
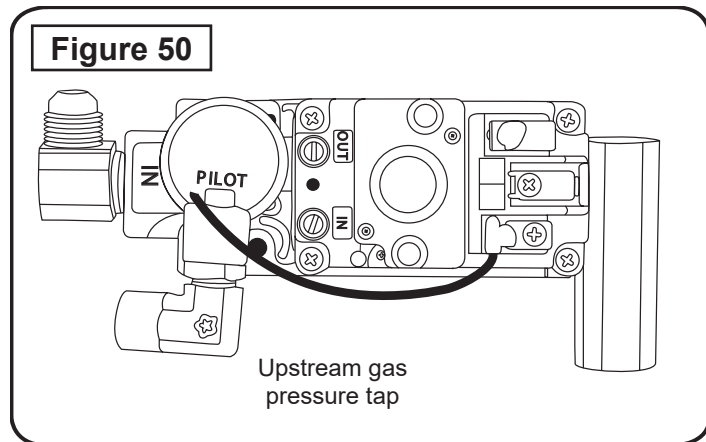
### MAINTAINING THE PILOT

Your gas fireplace is equipped with a safety pilot that will shut off the gas supply in case the pilot is not burning or functioning properly. Regularly verify that the pilot is adjusted properly with the pilot flame hitting the electrodes as shown in **Figure 51**. If the pilot will not stay lit, call your local gas utility or gas supplier.

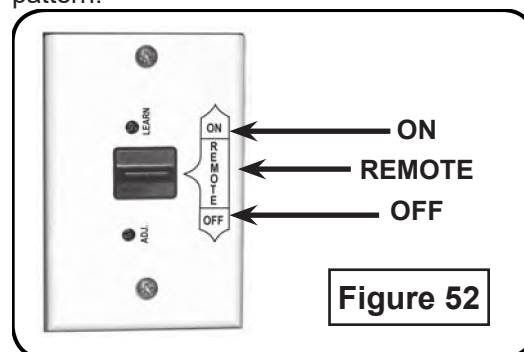
### TO CHECK UPSTREAM GAS PRESSURE

Unscrew the four (4) screws above and below the control panel face, then pull the control panel out far enough to expose the test ports on the valve (**Figure 50**). Unscrew the port marked IN part way and test.

**CAUTION:** Do not kink the flex connectors coming from the valve while accessing it.



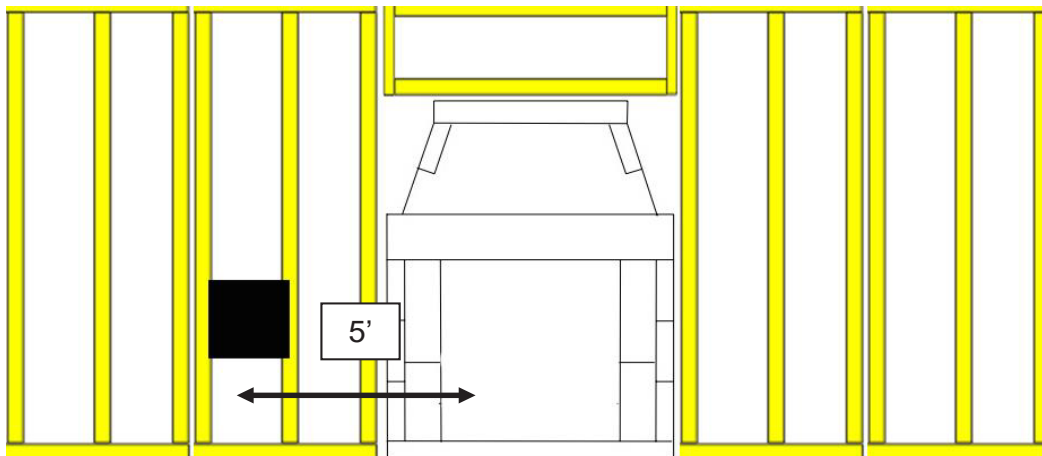
**Note:** Pilot flame should encircle top of electrodes. See instructions cover for example of proper main burner flame pattern.



# ELECTRONIC IGNITION ENCLOSURE

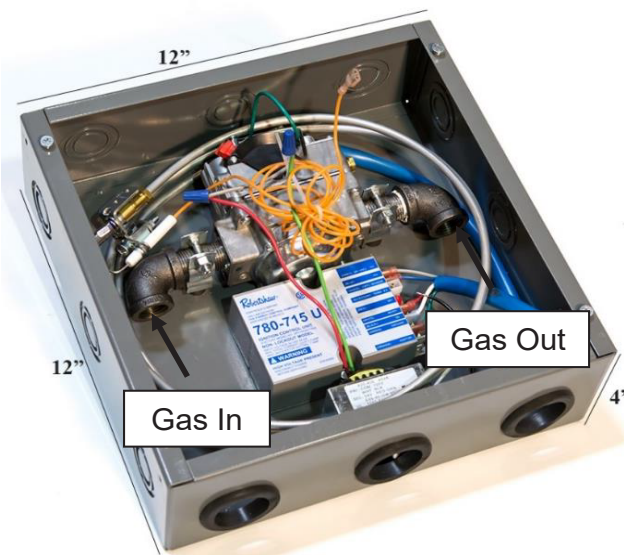
## BOX INSTALLATION

1. The EIS box comes with a 72" pilot assembly lead, therefore the box must be mounted within 5' of the fireplace.
2. Attach the metal enclosure to the studs using standard building materials. The metal enclosure must be mounted in a location that can be accessed in the future for additional connections & future servicing.



## GAS LINE INSTALLATION

- Installation and servicing of gas appliances and ignition systems must only be performed by qualified personnel.
- Turn off gas and electricity before starting installation or service.
- Make sure gas piping is pressure tested before control is connected. High pressure can damage the control causing a hazardous condition.
- Make sure piping is clean and free from burrs. Apply a small amount of good quality pipe thread compound or plumbers tape suitable for the gas being used. Thread compound should be used sparingly on male threads only, leaving the first two threads clean.
- It is recommended that a safety shut off valve is installed on either the gas in or gas out, side of the valve.
- It is recommended to hard pipe in the connections with unions installed inside the box.



## PILOT INSTALLATION

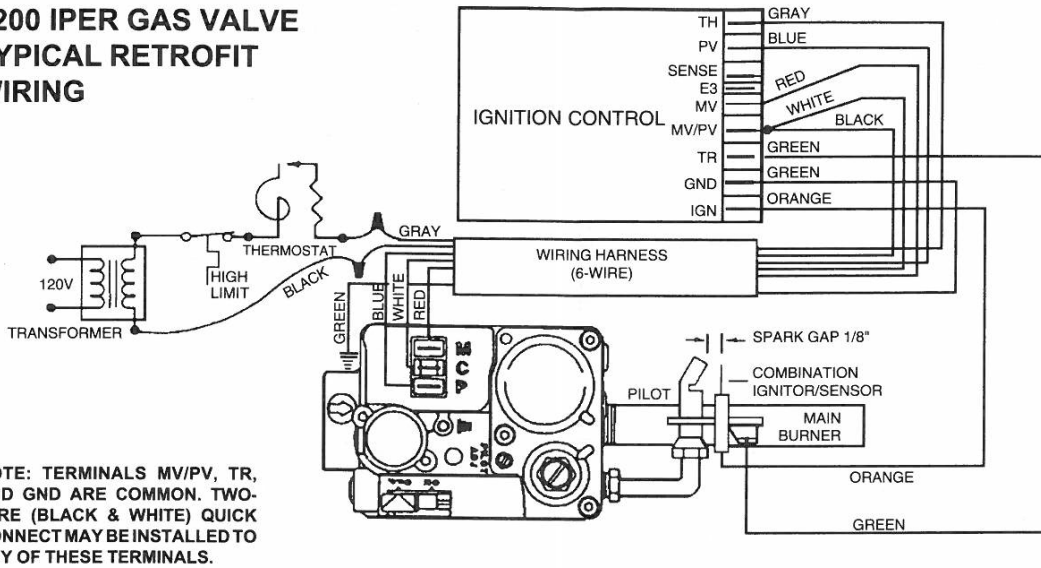
- Un-coil the pilot tubing & the spark ignitor using proper aluminum tubing bending techniques.
- Insert the pilot hood w/assembly into the fireplace being careful not to clog the head of the pilot assembly or damage the spark ignitor.
- Securely screw the pilot assembly to the pilot mounting bracket on the back or side of the burner. Screwing the pilot to the burner completes the electrical circuit.
- With the opposite end of the pilot assembly, plug the orange spark ignitor into the module according to the below wiring diagram & insert the pilot tubing into the right side of the valve where the compression nut is located. Once the pilot tubing is inserted into the compression nut, using a wrench, tighten the nut so that the pilot tubing can not be pulled out.

## WIRING DIAGRAM INSTALLATION

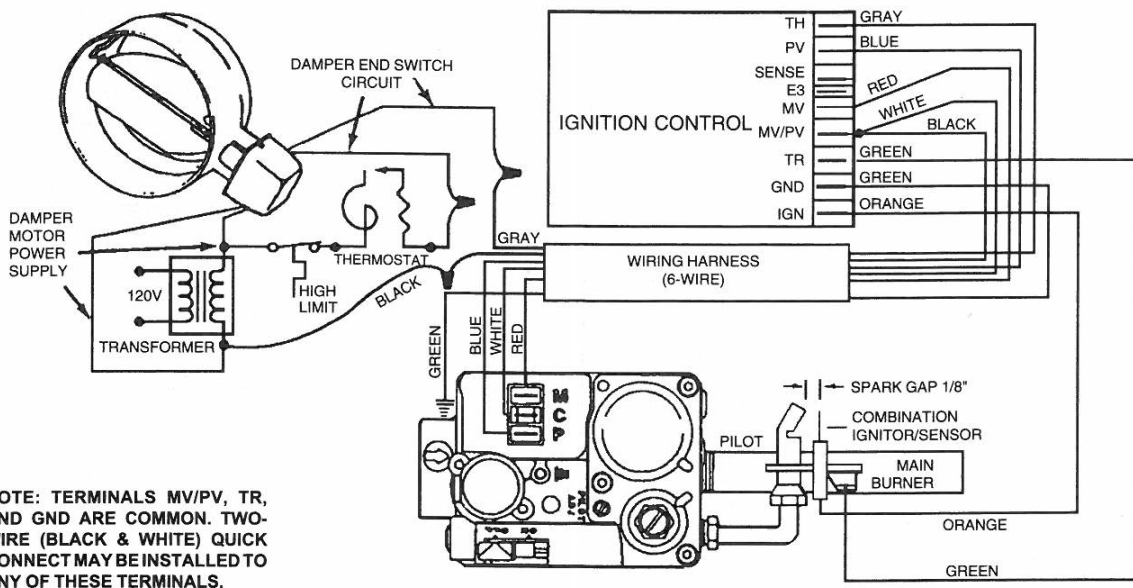
- Electronic Ignition Systems come full wired according to the manufactures recommendations & the below wiring diagram.
- It is the job of the electrician to read the wiring diagram according to RobertShaw specifications.



## 7200 IPER GAS VALVE TYPICAL RETROFIT WIRING



## 7200 IPER GAS VALVE TYPICAL RETROFIT WIRING WITH VENT DAMPER



## SYSTEM CHECKOUT PROCEDURES

The initial installation portion is now completed. The checkout procedures listed below must be followed. While there are redundant safety features built into the system, it is imperative that you follow the steps outlined below to ensure proper and safe operation. If you encounter any irregularities, refer to the TROUBLESHOOTING GUIDE.

1. Check all wiring connections.
2. Turn on main gas supply and put the manual valve or selector arm on the gas valve into the "ON" position.
3. Use a leak test solution to check piping for gas leaks. Repair if needed.
4. Turn on electrical power.

# Maintenance and Service

## Maintenance

Once installed and operating properly, the Mason-Lite gas fireplace requires very little maintenance.

You should inspect the fireplace, chimney, burner and control annually for the following:

1. **Excessive Sooting** - Some sooting of the logs is normal and adds to the natural appearance of burned wood. If soot accumulates, you may brush the soot off with a stiff brush. Logs may also be cleaned by allowing them to heat up, then spraying them with water where soot has accumulated.
2. **Debris around the control** - Inspect the control and pilot to be sure it is free of any dirt or debris.
3. **Insects and burner blockage** - Check the burner ports and the air-mixer, if present, to make sure they are free from debris. Blocked burner ports and orifices may result in poor flame distribution or flame at air mixer (if equipped). Reference SOLUTION, to symptoms 2-4, of **Troubleshooting**.

## Service

It is recommended that a qualified professional service technician be called to service the gas fireplace and its venting system at least annually or should service be required. More frequent cleaning may be required due to excessive lint from carpeting, bedding material, etc.

It is imperative that control compartments, burners and circulating air passageways of the appliance be kept clean.

The Troubleshooting section of these instructions serves as a guide for ensuring optimum performance of the gas fireplace.

## Flame Appearance

The flames should be blue at the base and a combination of blue/yellow at the body and tips.

## Troubleshooting

PROBLEM	CAUSE	SOLUTION
1. Pilot will NOT stay lit.	a. Pilot generator may not be producing sufficient millivolts.	a. Check with a millivolt meter. Should be 250 millivolts or more.
	b. Pilot flame making a blowing sound	b. Pilot needs adjusting (see "Checking and Adjusting the Pilot" on page 22).
	c. Generator wire leads attached to the wrong terminals on the valve.	c. Connect leads per wiring diagram, previous page.
	d. Defective thermo-magnetic safety in valve.	d. Replace valve.
2. Pilot Burning. No Gas to Burner.	a. Safety valve not turned to the ON position after lighting pilot.	a. Turn to ON position.
	b. Wire leads are not properly connected to valve or switch terminals.	b. Attach all wire leads tightly to proper terminals (See wiring diagram, previous page).
	c. Voltage to pilot generator too low.	c. See section 1a above.
	d. Defective valve.	d. Replace valve.
3. Fireplace Not burning properly.	a. Low flame/uneven flame.	a. Check for low gas pressure; minimum operating pressures of 5" W.C. at manifold.
4. Fireplace will not shut OFF.	a. Control Switch lead wires to the valve may be shorted together or on wrong terminals.	a. See wiring diagram, previous page. System takes 15-20 seconds to complete shutdown (nominal).
5. Frequent pilot outage.	a. Pilot flame is out of adjustment.	a. See section 1b above.
	b. Down drafts from the chimney, extinguishing the pilot.	b. Check draft. Consult with a qualified chimney expert.
6. Fireplace shuts down during operation.	a. Improper venting causing spill switch to trip repeatedly.	a. Check draft. Consult with a qualified chimney expert. Consider installing a combustion air kit.
	b. Spill switch improperly mounted.	b. See section on "Installing Spill Switch and Baffle Assembly" on page 21.
	c. Smoke Diverter not in place.	c. Install Smoke Diverter with Spill Switch per instructions.
7. Excessive soot on logs.	a. Yellow flame impingement.	a. Open air shutter on front burner or main burner as needed.

## Appendix J

For installations regulated by the International Residential Code, the support foundation for the fireplace installed on concrete shall consist of a minimum of 6 inches thick reinforced concrete slab. The minimum specified compressive strength of  $f'_c$ , shall be as required in Table R402.2 of the International Residential Code (IRC). Concrete subject to moderate or severe weathering as indicated in Figure R301.2(3) of the International Residential Code (IRC) shall be air entrained as specified in Table R402.2 of the International Residential Code (IRC). The maximum weight of fly ash, other pozzolans, silica fume, slag or blended cements that is included in concrete mixtures for garage floor slabs and for exterior porches, carport slabs and steps that will be exposed to deicing chemicals shall not exceed the percentages of the total weight of cementitious materials specified in Section 4.2.3 of ACI 318. Materials used to produce concrete and testing thereof shall comply with the applicable standards listed in Chapter 3 of ACI 318.

For installations regulated by the International Building Code (IBC), the support foundation for the fireplace installed on concrete shall consist of a minimum of 6 inches thick reinforced concrete slab. The concrete strength and durability shall comply with Sections 1903, 1904 and 1905 of the International Building Code (IBC).

**TABLE R402.2 MINIMUM SPECIFIED COMPRESSIVE STRENGTH OF CONCRETE**

TYPE OR LOCATION OF CONCRETE CONSTRUCTION	MINIMUM SPECIFIED COMPRESSIVE STRENGTH <sup>a</sup> ( $f'_c$ )	
	Negligible	Weathering Potential <sup>b</sup>
Basement walls, foundations and other concrete not exposed to the weather	2,500	Moderate 2,500
Basement slabs and interior slabs on grade, except garage floor slabs	2,500	2,500
Basement walls, foundation walls, exterior walls and other vertical concrete work exposed to the weather	2,500	3,000 <sup>d</sup>
Porches, carport slabs and steps exposed to the weather, and garage floor slabs	2,500	3,000 <sup>d,e,f</sup>
		Severe 2,500 <sup>c</sup>
		2,500 <sup>c</sup>
		3,000 <sup>d</sup>
		3,500 <sup>d,e,f</sup>

- a. Strength at 28 days psi.
- b. See Figure R301.2(3) for weathering potential.
- c. Concrete in these locations that may be subject to freezing and thawing during construction shall be air-entrained concrete in accordance with Footnote d.
- d. Concrete shall be air-entrained. Total air content (percent by volume of concrete) shall be not less than 5 percent or more than 7 percent.
- e. See Section R402.2 for maximum cementitious materials content.
- f. For garage floors with a steel troweled finish, reduction of the total air content (percent by volume of concrete) to not less than 3 percent is permitted if the specified compressive strength of the concrete is increased to not less than 4,000 psi.





# Lifetime Limited Warranty

## Mason-Lite Fireplaces

Masonry Fireplace Industries, Inc. warrants all Mason-Lite Fireplaces to be free from defects in materials that adversely affect fireplace performance for the lifetime of the product from the date of purchase, subject to the terms and conditions of this limited warranty. Masonry Fireplace Industries does not warrant accessory chimney, outside air ducts and devices not manufactured by Masonry Fireplace Industries.

This warranty covers only products manufactured by Masonry Fireplace Industries, specifically the modular concrete firebox, and **NO WARRANTY, EXPRESS OR IMPLIED, EXTENDS TO ANY OF THE HARDWARE, FOUNDATION, VENTING, DUCTS, OR ACCESSORIES. THIS WARRANTY DOES NOT COVER DRAFTING, SMOKING, OR SOOTING OF THE FIREPLACE SYSTEM.** Factors beyond the manufacturer's control affect drafting, smoking, and sooting and Masonry Fireplace Industries cannot guarantee these aspects of performance.

Coverage under this warranty is subject to the following conditions and exclusions:

- This warranty is null and void when the fireplaces are not installed pursuant to the installation instructions provided by Masonry Fireplace Industries or local building codes have not been followed completely.
- This warranty does not apply to any component or part that shows evidence of misuse, abuse, improper installation, accident or lack of regular maintenance. Masonry Fireplace Industries is not responsible for misuse or mishandling of component parts.
- This warranty does not apply to any damage sustained to the appliance while in transit.
- Neither Masonry Fireplace Industries, nor any affiliate thereof, is responsible for any labor costs or indirect costs incurred for the replacement of defective components. Any covered component that, in our judgment, is defective shall be repaired, replaced or refunded at Masonry Fireplace Industries' option.
- Nothing in this warranty makes Masonry Fireplace Industries, or any affiliate thereof, liable in any respect for any injury or damage to the building or structure in which the fireplace has been installed or to the persons or property therein arising out of the use, misuse, or installation of properly manufactured Masonry Fireplace Industries products.
- The fireplace must be used in accordance with operating instructions. Only approved Burners and Glass Doors must be installed when using the fireplace.

NEITHER MASONRY FIREPLACE INDUSTRIES, NOR ANY AFFILIATE THEREOF, SHALL BE HELD LIABLE FOR ANY INCIDENTAL OR CONSEQUENTIAL DAMAGES OR EXPENSES ARISING OUT OF THE USE OF THE FIREPLACE. ALL SUCH DAMAGES AND EXPENSES ARE HEREBY EXCLUDED. Some states do not allow the exclusion or limitation of incidental or consequential damages, so the above limitation or exclusion may not apply to you.

If a component is found to be defective under the terms of this warranty, the party this warranty is extended to shall notify Masonry Fireplace Industries, 6391 Jurupa Ave., Riverside, California 92514 in writing, by registered mail, within thirty (30) days following the discovery of the defect within the lifetime warranty period. The letter shall include proof of purchase and state the (1) date of purchase, model number and serial number ; (2) place of purchase; (3) address of installation; (4) name, address and phone number of the homeowner; and (5) a brief description of the defect.

This warranty applies only to those fireplaces installed in the continental United States, Alaska and Canada. If any part of this warranty is found to be unenforceable, the remaining parts shall remain in force and effect.

Electronic valves and modules are limited to only one year warranty under the valve and electronic parts manufacturers warranty.

THE FOREGOING WARRANTY IS EXCLUSIVE AND IS IN LIEU OF ALL OTHER WARRANTIES, TERMS OR CONDITIONS, EXPRESS OR IMPLIED EITHER IN FACT OR BY OPERATION OF LAW. MASONRY FIREPLACE INDUSTRIES HEREBY DISCLAIMS ALL GUARANTEES AND WARRANTIES, EXPRESS OR IMPLIED, BEYOND THE WARRANTIES SET FORTH HEREIN, INCLUDING BUT NOT LIMITED TO WARRANTIES OF MERCHANTABILITY OR FITNESS FOR A PARTICULAR PURPOSE. Some states do not allow limitations on how long an implied warranty lasts, so the above limitation may not apply to you.

Revision date: 5/4/2019

**Masonry Fireplace Industries Inc.**  
6391 Jurupa Ave., Riverside, California 92514  
Telephone (800) 345-7078 Fax (951) 588-8046