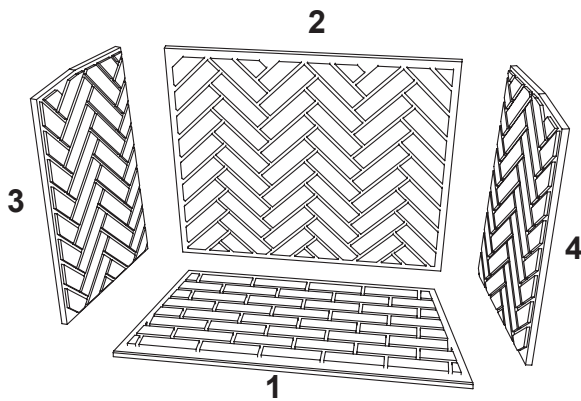


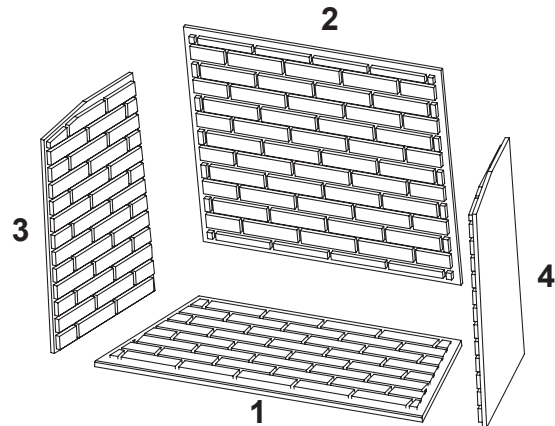
## Refractory Firebrick Installation Instructions



**MFP39SHBL - Herringbone 39"**  
**MFP44SHBL - Herringbone 44"**  
**MFP49SHBL - Herringbone 49"**  
**MFP63SHBL - Herringbone 63"**

### Parts List

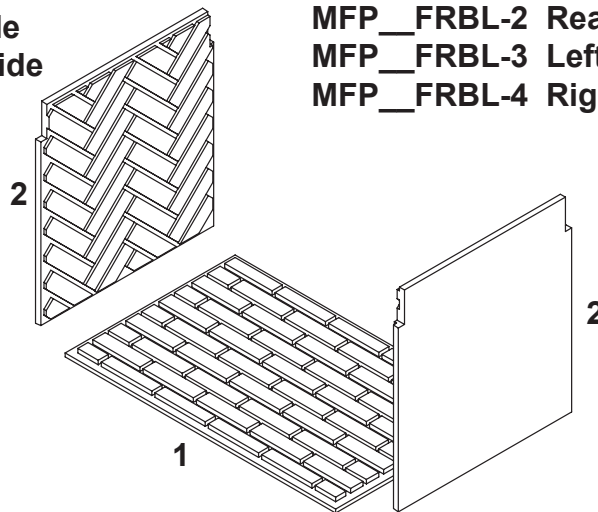
**MFP\_\_SHBL-1 Base**  
**MFP\_\_SHBL-2 Rear Wall**  
**MFP\_\_SHBL-3 Left Side**  
**MFP\_\_SHBL-4 Right Side**



**MFP39FRBL - Running Bond 39"**  
**MFP44FRBL - Running Bond 44"**  
**MFP49FRBL - Running Bond 49"**  
**MFP63FRBL - Running Bond 63"**

### Parts List

**MFP\_\_FRBL-1 Base**  
**MFP\_\_FRBL-2 Rear Wall**  
**MFP\_\_FRBL-3 Left Side**  
**MFP\_\_FRBL-4 Right Side**



**MFP43STSHBL - Herringbone 43" ST**  
**MFP43STFRBL - Running Bond 43" ST**

**MFP43STSHBL-1 Base**  
**MFP43STSHBL-2 Side**  
**MFP43STFRBL-1 Base**  
**MFP43STFRBL-2 Side**

## Installation Instructions

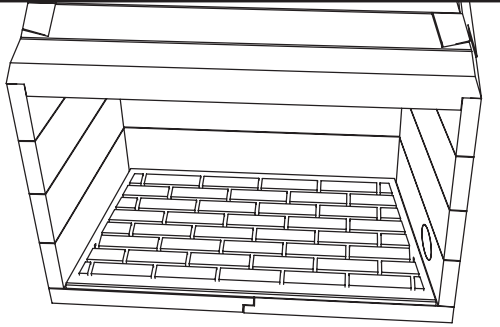
**Important:** Moisten all brick panels and Mason-lite surfaces with a wet sponge *prior* to applying mortar for maximum adhesion.

### Step 1:

Install Firebrick Hearth Panel.

Make sure hearth area is clean and flat prior to installing the firebrick hearth. Prepare firebrick hearth underside with grout mix. Use a large trowel and spread evenly over entire surface. Position panel over hearth area making sure front edge is aligned flush to the front face of the hearth.

Figure 1



### Step 2:

Prepare the Firebrick Rear Wall with mortar. Mortar is required only at the top and bottom of the Rear Wall. The area between the bottom and top will have a gap due to the span from the bottom rear wall to the upper edge of the downdraft diverter shelf (see Figure 2).

Figure 2

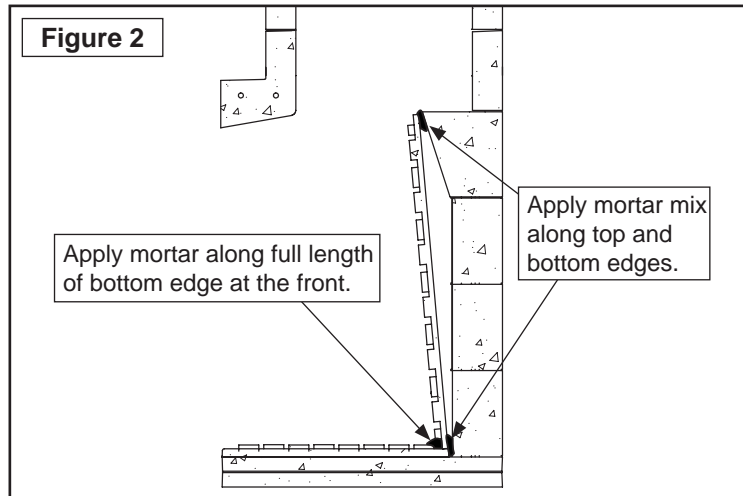
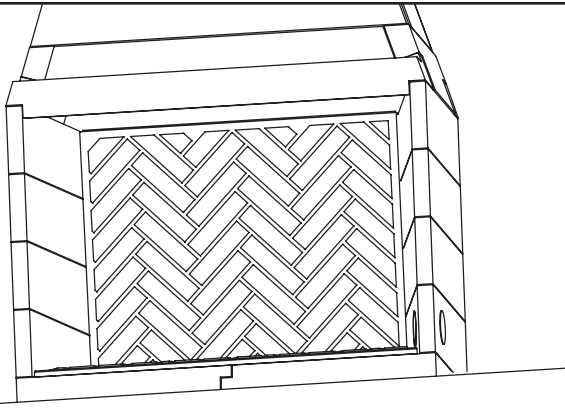


Figure 3

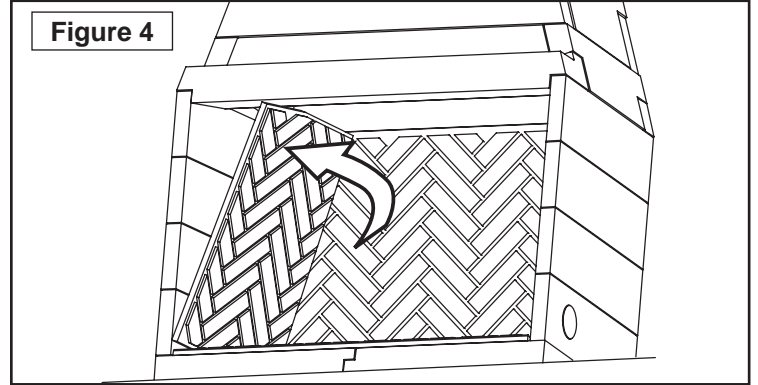


Apply mortar also along the bottom at the front side where the hearth meets. A placeholder will be required to retain rear wall in position while it is curing.

### Step 3:

Prepare Side Panel with mortar mix. Apply mix to the whole rear surface of panel. The side panel is taller than the front opening so it needs to be inserted at an angle with bottom edge against side wall. Swing into position until flat against firebox side wall (Figure 4).

Figure 4

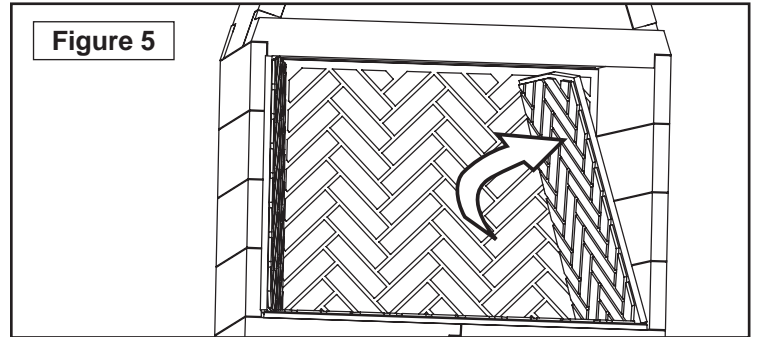


Gently tap the brick face with a rubber hammer to seat the side panel properly. Do not hit too hard or the panel may get damaged if it is still curing. Do not hit rear panel since there will be a void behind it and may cause damage. A placeholder will be required to maintain the side wall in place while the mortar cures.

### Step 4:

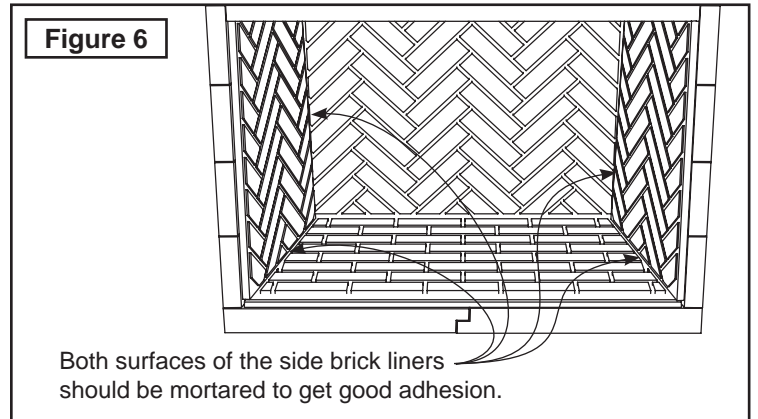
Install remaining Side Panel in like manner as with the previous (Figure 5).

Figure 5



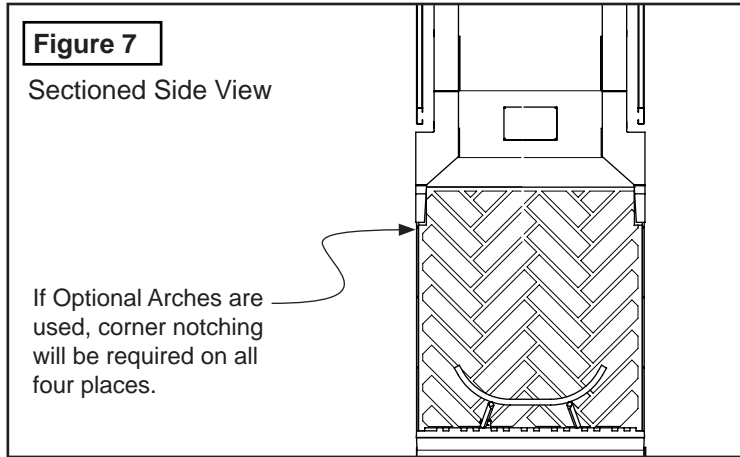
Apply mortar along the full length at the inner seams as shown in Figure 6.

Figure 6

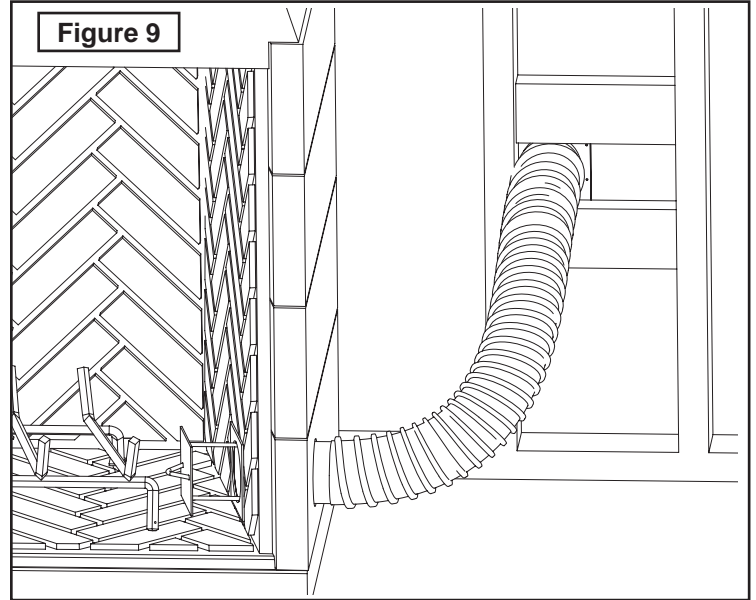


**For MFP43ST See-Thru Units:**

Install Firebrick Hearth Panel as in step 1.  
Install Firebrick Side Panels in like manner to step 3.  
**Note:** If optional Arches are installed, Firebrick Side Panels will need to be notched to clear the added material as shown in Figure 7.



A completed outside air kit installation is shown below in Figure 9.



**For Outside Air Kit Installations:**

If requiring an outside air kit, the side in which you are installing outside air will require you to drill a 4" dia. hole through the Firebrick Side Panel for Air Kit installation.

For illustration purposes, all references to outside combustion air access in these instructions represent a Right Hand installation. Depending on your requirements, you may opt to position the outside air kit at the left side in which case you need to adjust accordingly. Do not install the air kit any higher than the lower wall as shown. Outside combustion air needs to be drawn at the level below the grate/fire.

Dimensions shown in Figure 8 are for reference only. It is best to cut actual opening required using fireplace side wall hole as template. Remove plug from fireplace if present.

